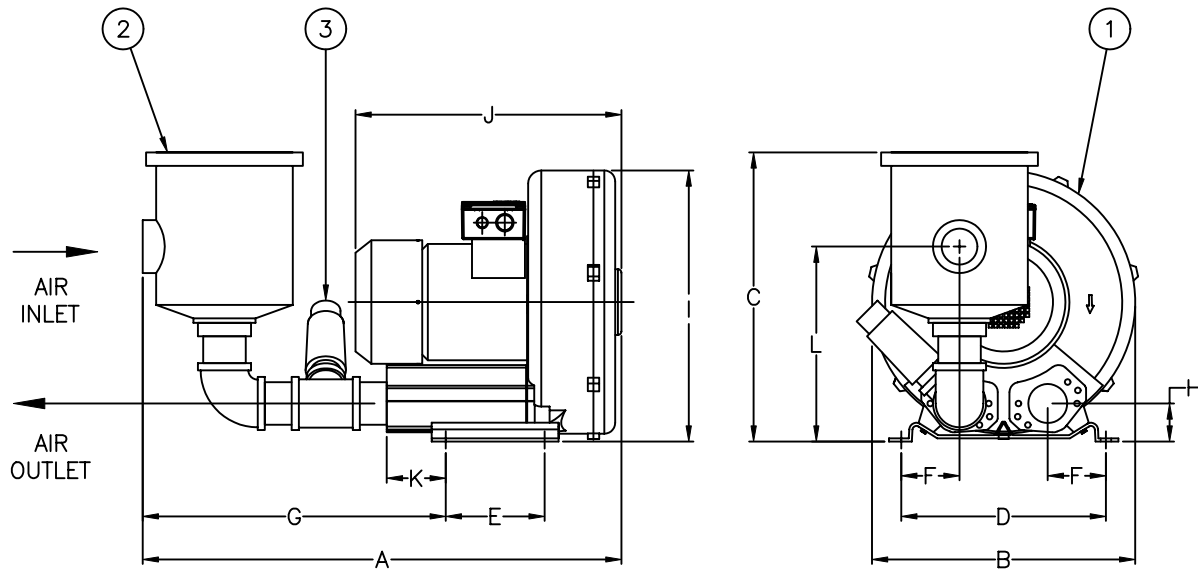


ITEM	Qty.	DESCRIPTION	ITEM	Qty.	DESCRIPTION
1	1	REGENERATIVE BLOWER, NASH_ELMO MODEL ...	3	N/A	SAFETY RELIEF VALVE
2	1	INLINE FILTER			



nash_elmo

MODEL	CONNECTION	MOTOR (HP)	A	B	C	D	E	F	G	H	I	J	K	L	WEIGHT
2BH1 100-7A_0_	1.25	0.31	20.75	9.69	11.00	8.07	3.27	1.87	14.75	1.53	9.72	10.07	2.95	9.00	20
2BH1 200-7A_0_	1.5	0.39	20.75	9.17	11.50	8.07	3.27	1.87	16.00	2.04	9.91	9.59	3.95	9.50	20
2BH1 300-7A_0_	1.25	0.39	20.75	9.69	11.00	8.07	3.27	2.26	14.75	1.53	9.72	8.61	2.95	9.00	20
2BH1 300-7A_1_	1.25	0.67	20.75	9.69	11.00	8.07	3.27	2.26	14.75	1.53	9.95	10.07	2.95	9.00	25
2BH1 400-7A_0_	1.5	1.11	21.50	11.22	11.50	8.86	3.74	2.17	14.75	1.81	11.89	10.58	2.75	9.50	35
2BH1 400-7A_1_	1.5	1.27	21.50	11.22	11.50	8.86	3.74	2.17	14.75	1.81	11.89	11.52	2.75	9.50	40
2BH1 400-7A_2_	1.5	2.01	21.50	11.22	11.50	8.86	3.74	2.17	14.75	1.81	11.89	11.52	2.75	9.50	40
2BH1 500-7A_0_	2	1.27	26.00	13.15	16.00	10.23	4.52	2.75	18.00	1.89	13.26	12.35	3.77	10.75	45
2BH1 500-7A_1_	2	2.01	26.00	13.15	16.00	10.23	4.52	2.75	18.00	1.89	13.26	12.35	3.77	10.75	50
2BH1 500-7A_2_	2	2.75	26.00	13.15	16.00	10.23	4.52	2.75	18.00	1.89	13.26	13.61	3.77	10.75	55
2BH1 500-7A_3_	2	3.42	26.00	13.15	16.00	10.23	4.52	2.75	18.00	1.89	13.26	13.61	3.77	10.75	65
2BH1 600-7A_0_	2	2.75	27.50	15.00	16.00	11.42	5.51	3.25	17.50	2.12	16.31	14.84	3.30	10.75	70
2BH1 600-7A_1_	2	3.42	27.50	15.00	16.00	11.42	5.51	3.25	17.50	2.12	16.31	14.84	3.30	10.75	75
2BH1 600-7A_2_	2	4.63	27.50	15.00	16.00	11.42	5.51	3.25	17.50	2.12	16.31	16.18	3.30	10.75	85
2BH1 600-7A_3_	2	6.17	27.50	15.00	16.00	11.42	5.51	3.25	17.50	2.12	16.31	17.00	3.30	10.75	105
2BH1 800-7A_0_	2.5	6.17	41.25	19.61	17.75	14.37	11.02	4.33	23.50	3.18	22.28	19.50	7.11	12.75	285
2BH1 800-7A_1_	2.5	8.45	41.25	19.61	17.75	14.37	11.02	4.33	23.50	3.18	22.28	19.50	7.11	12.75	320
2BH1 800-7A_2_	2.5	11.53	41.25	19.61	17.75	14.37	11.02	4.33	23.50	3.18	22.28	19.50	7.11	12.75	325
2BH1 900-7A_0_	4	13.14	55.00	21.85	16.50	14.17	23.47	3.00	27.25	3.60	24.88	28.59	-1.16	13.25	435
2BH1 900-7A_1_	4	19.44	55.00	21.85	16.50	14.17	23.47	3.00	27.25	3.60	24.88	28.59	-1.16	13.25	485
2BH1 900-7A_3_	4	28.56	55.00	21.85	16.50	14.17	23.47	3.00	27.25	3.60	24.88	28.59	-1.16	13.25	520

NOTES:

1. DIMENSIONS AND WEIGHTS ARE NOT CERTIFIED
2. DIMENSIONS ARE IN INCHES AND WEIGHTS IN POUNDS
3. WEIGHTS ARE APPROXIMATE
4. DIMENSIONS A, C, G AND L ARE APPROXIMATE TO 1/8"
5. NOMENCLATURE OF THE MODEL NUMBER : 2BH1 600-7A_0_

MOTOR 3 PHASES, 220-275 V Δ / 380-480 V Y :	H 6
MOTOR 3 PHASES, 380-480 V Δ :	H 7
MOTOR 3 PHASES, 575 V Δ :	C 5
MOTOR 1 PHASE, 100/200 V :	V 4
MOTOR 1 PHASE, 115/230 V :	V 5

AIRCOM TECHNOLOGIES

514-695-4740

F: 514-695-0581

www.aircom.ca

NASH_ELMO REGENERATIVE BLOWER PACKAGE - VACUUM - DIMENSIONAL DRAWING

0533-E

04/28/04

P. 1 OF 1

0

DWG NO.:

DATE:

REV.

THIS DRAWING & ALL INFORMATION THERE ON IS THE PROPRIETY OF AIRCOM TECHNOLOGIES INC. & IS CONSIDERED CONFIDENTIAL.