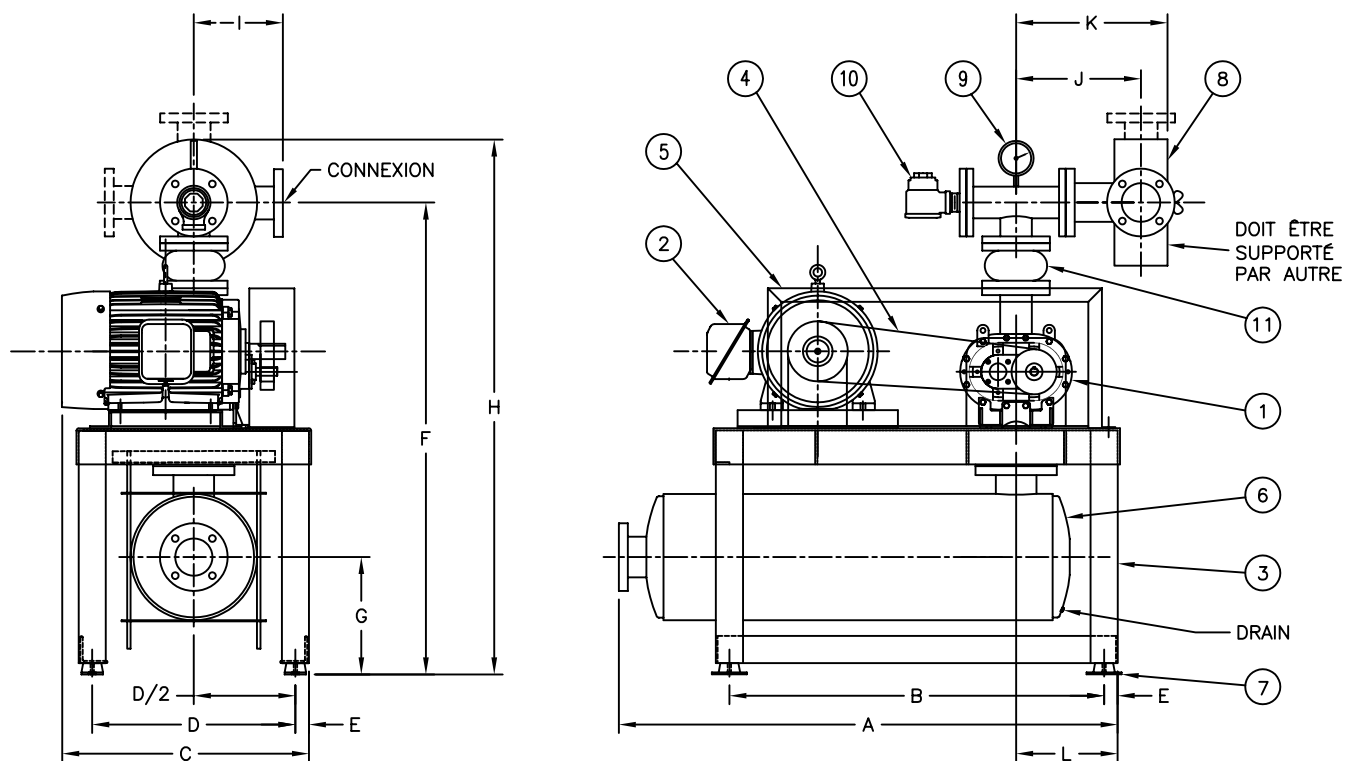


| ITEM | Qté. | DESCRIPTION | ITEM | Qté. | DESCRIPTION |
|------|------|--------------------------------------|------|------|--------------------------|
| 1 | 1 | SURPRESSEUR, SUTORBILT MODÈLE ... | 7 | 4 | PLOTS ANTI-VIBRATION |
| 2 | 1 | MOTEUR ÉLECTRIQUE, ... | 8 | 1 | FILTRE D'ENTRÉE EN LIGNE |
| 3 | 1 | BASE COMMUNE | 9 | 1 | MANOMÈTRE |
| 4 | 1 | ENTRAÎNEMENT PAR POULIE ET COURROIES | 10 | 1 | SOUPAPE DE SÛRETÉ À VIDE |
| 5 | 1 | GARDE PROTECTEUR SELON LA NORME OSHA | 11 | 1 | CONNEXION FLEXIBLE |
| 6 | 1 | SILENCIEUX DE SORTIE (TYPE URB) | | | |



| MODÈLE | CONNEXION | | MOTEURS (HP) | A | B | C | D | E | F | G | H | I | J | K | L | POIDS |
|----------|-----------|---|--------------|-------|------|------|------|-----|------|------|------|-----|------|------|------|-------|
| 2M-AV200 | 2 | S | 3-7.5 | 43 | 28.5 | 18.5 | 14.5 | 1.5 | 42.5 | 8 | 47 | 4.5 | 8.5 | 13.5 | 9 | 280 |
| 2L-AV200 | 2 | S | 3-7.5 | 44 | 28.5 | 20 | 14.5 | 1.5 | 37.5 | 8.5 | 41.5 | 4.5 | 8.5 | 13.5 | 9 | 350 |
| 2L-AV200 | 2.5 | S | 3-7.5 | 45 | 28.5 | 21 | 14.5 | 1.5 | 38 | 8 | 42.5 | 5 | 9.5 | 14.5 | 9 | 390 |
| 3H-AV200 | 2 | S | 3-10 | 43.5 | 28.5 | 21 | 14.5 | 1.5 | 44.5 | 9 | 49 | 4.5 | 8.5 | 13.5 | 9 | 410 |
| 3M-AV200 | 2 | S | 5-10 | 44 | 28.5 | 21 | 14.5 | 1.5 | 39 | 9 | 43.5 | 4.5 | 8.5 | 13.5 | 9 | 420 |
| 3L-AV250 | 2.5 | S | 3-10 | 45 | 28.5 | 21 | 14.5 | 1.5 | 39.5 | 8.5 | 43.5 | 5 | 9.5 | 14.5 | 9 | 440 |
| 3L-AV300 | 3 | S | 3-10 | 57 | 28.5 | 21 | 14.5 | 1.5 | 40.5 | 8.5 | 47 | 9 | 13 | 20 | 9 | 450 |
| 4H-AV200 | 2 | S | 5-10 | 43.5 | 28.5 | 21 | 14.5 | 1.5 | 45.5 | 10 | 50 | 4.5 | 8.5 | 13.5 | 9 | 440 |
| 4M-AV250 | 2.5 | S | 7.5-10 | 45 | 28.5 | 21 | 14.5 | 1.5 | 41 | 9.5 | 45.5 | 5 | 9.5 | 14.5 | 9 | 470 |
| 4M-BV250 | 2.5 | S | 15-25 | 52 | 41.5 | 26 | 22.5 | 1.5 | 49 | 16 | 53.5 | 5 | 9.5 | 14.5 | 11.5 | 640 |
| 4L-BV300 | 3 | S | 7.5-25 | 60 | 41.5 | 28 | 22.5 | 1.5 | 51.5 | 15.5 | 58 | 9 | 13.5 | 20.5 | 11.5 | 840 |
| 4L-BV400 | 4 | F | 7.5-25 | 55.5 | 41.5 | 30.5 | 22.5 | 1.5 | 51 | 12.5 | 58 | 10 | 13.5 | 16.5 | 11.5 | 880 |
| 5H-BV250 | 2.5 | S | 7.5-30 | 52 | 41.5 | 30.5 | 22.5 | 1.5 | 51 | 15.5 | 55.5 | 5 | 9.5 | 14.5 | 11.5 | 880 |
| 5M-BV400 | 4 | F | 15-30 | 55.5 | 41.5 | 30.5 | 22.5 | 1.5 | 51 | 14 | 58 | 10 | 13.5 | 16.5 | 11.5 | 960 |
| 5L-BV400 | 4 | F | 7.5-30 | 55.5 | 41.5 | 30.5 | 22.5 | 1.5 | 51 | 14 | 58 | 10 | 13.5 | 16.5 | 11.5 | 1000 |
| 5L-BV500 | 5 | F | 7.5-30 | 67 | 41.5 | 30.5 | 22.5 | 1.5 | 56.5 | 12 | 65.5 | 12 | 15 | 19 | 11.5 | 1080 |
| 6H-BV300 | 3 | S | 10-30 | 59 | 41.5 | 30.5 | 22.5 | 1.5 | 53.5 | 15.5 | 60 | 9 | 13.5 | 20.5 | 11.5 | 1070 |
| 6M-BV500 | 5 | F | 15-30 | 67 | 41.5 | 30.5 | 22.5 | 1.5 | 59 | 15.5 | 68 | 12 | 15 | 19 | 11.5 | 1230 |
| 6M-CV500 | 5 | F | 40-50 | 67.5 | 43.5 | 33.5 | 27.5 | 2 | 64 | 18 | 73 | 12 | 15 | 19 | 12 | 1530 |
| 6L-CV600 | 6 | F | 25-50 | 73 | 43.5 | 33.5 | 27.5 | 2 | 61.5 | 14 | 70.5 | 12 | 20 | 28.5 | 12 | 1710 |
| 7H-CV400 | 4 | F | 25-50 | 56 | 43.5 | 33.5 | 27.5 | 2 | 63.5 | 17.5 | 70.5 | 10 | 13.5 | 16.5 | 12 | 1550 |
| 7M-CV600 | 6 | F | 30-50 | 73 | 43.5 | 33.5 | 27.5 | 2 | 65 | 15.5 | 74 | 12 | 20 | 28.5 | 12 | 1820 |
| 7M-DV600 | 6 | F | 60-75 | 77 | 52.5 | 39 | 31.5 | 2.5 | 71.5 | 21.5 | 80.5 | 12 | 20 | 28.5 | 16 | 2110 |
| 7L-DV800 | 8 | F | 40-75 | 100.5 | 52.5 | 39 | 31.5 | 2.5 | 73.5 | 17.5 | 85.5 | 15 | 18.5 | 23 | 16 | 2510 |
| 8M-DV800 | 8 | F | 40-75 | 100.5 | 52.5 | 39 | 31.5 | 2.5 | 76.5 | 17.5 | 88.5 | 15 | 18.5 | 23 | 16 | 2710 |

- NOTES:
- DIMENSIONS ET POIDS NON CERTIFIÉS
 - LES DIMENSIONS SONT EN POUÇES ET LES POIDS EN LIVRES
 - LES POIDS SONT APPROXIMATIFS
 - S= CONNEXIONS FILETÉES STD. NPT. F= CONNEXIONS BRIDÉES
 - LES DIMENSIONS DES GROUPES AUX CONNEXIONS FILETÉES SONT APPROXIMATIVES AU 1/2"
 - SILENCIEUX DE TYPE URB : ATTÉNUATION POUR BASSE FRÉQUENCE



514-695-4740 F: 514-695-0581 www.aircom.ca

GRUPE SURPRESSEUR SUTORBILT - VIDE - DIMENSIONS

0471-F 05/09/2007 P. 1 DE 1 4