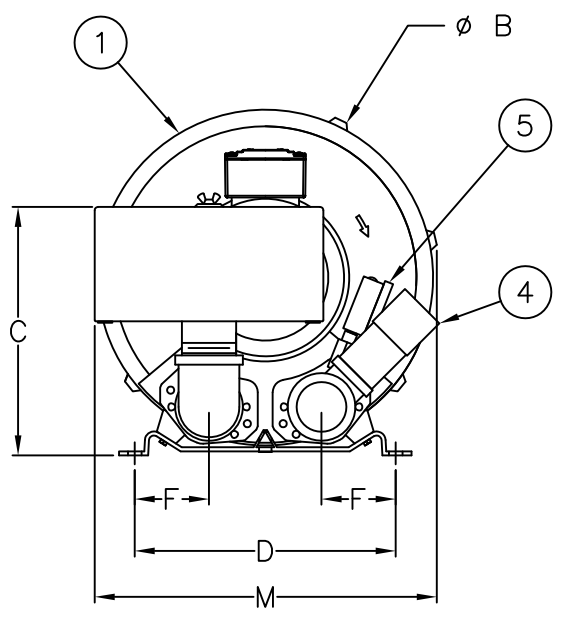
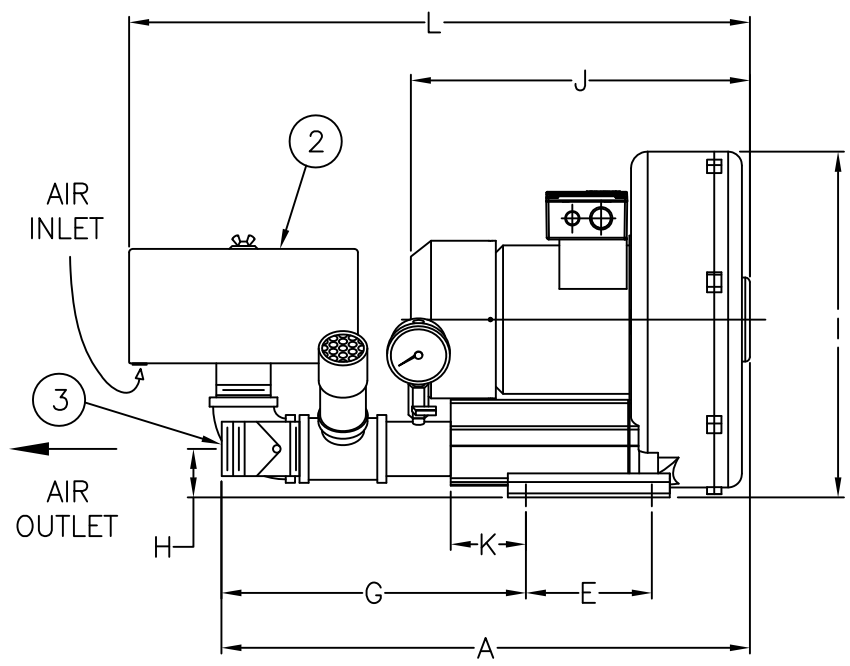


ITEM	Qty.	DESCRIPTION	ITEM	Qty.	DESCRIPTION
1	1	REGENERATIVE BLOWER, ELMO RIETSCHLE MODEL ...	3	1	CHECK VALVE
2	1	INLET FILTER	4	1	SAFETY RELIEF VALVE
			5	1	PRESSURE GAUGE AND BALL VALVE ASSEMBLY



MODEL	CONN. (MPT)	MOTOR (HP)	A	B	C	D	E	F	G	H	I	J	K	L	M	WEIGHT
2BH1 100-7A_0_	1.25	0.31	20.00	9.75	10.00	8.00	3.25	1.75	14.00	1.50	9.75	10.00	3.00	17.50	10.00	20
2BH1 200-7A_0_	1.5	0.39	21.75	9.25	10.50	8.00	3.25	1.75	15.50	2.00	10.00	9.50	4.00	18.75	9.75	20
2BH1 300-7A_0_	1.25	0.39	20.00	9.75	10.00	8.00	3.25	2.25	14.00	1.50	9.75	8.50	3.00	17.50	9.50	20
2BH1 300-7A_1_	1.25	0.67	20.00	9.75	10.00	8.00	3.25	2.25	14.00	1.50	10.00	10.00	3.00	19.50	9.50	25
2BH1 400-7A_0_	1.5	1.11	21.00	11.25	10.50	8.75	3.75	2.25	14.25	1.75	12.00	10.50	2.75	20.00	10.75	35
2BH1 400-7A_1_	1.5	1.27	21.00	11.25	10.50	8.75	3.75	2.25	14.25	1.75	12.00	11.50	2.75	20.00	10.75	40
2BH1 400-7A_2_	1.5	2.01	21.00	11.25	10.50	8.75	3.75	2.25	14.25	1.75	12.00	11.50	2.75	20.00	10.75	40
2BH1 500-7A_0_	2	1.27	24.25	13.25	11.50	10.25	4.50	2.75	16.25	2.00	13.25	12.25	3.75	26.50	14.00	45
2BH1 500-7A_1_	2	2.01	24.25	13.25	11.50	10.25	4.50	2.75	16.25	2.00	13.25	12.25	3.75	26.50	14.00	50
2BH1 500-7A_2_	2	2.75	24.25	13.25	11.50	10.25	4.50	2.75	16.25	2.00	13.25	13.50	3.75	26.50	14.00	55
2BH1 500-7A_3_	2	3.42	24.25	13.25	11.50	10.25	4.50	2.75	16.25	2.00	13.25	13.50	3.75	26.50	14.00	65
2BH1 600-7A_0_	2	2.75	25.50	15.00	11.50	11.50	5.50	3.25	15.75	2.00	16.25	14.75	3.25	27.75	15.00	70
2BH1 600-7A_1_	2	3.42	25.50	15.00	11.50	11.50	5.50	3.25	15.75	2.00	16.25	14.75	3.25	27.75	15.00	75
2BH1 600-7A_2_	2	4.63	25.50	15.00	11.50	11.50	5.50	3.25	15.75	2.00	16.25	16.25	3.25	29.75	15.00	85
2BH1 600-7A_3_	2	6.17	25.50	15.00	11.50	11.50	5.50	3.25	15.75	2.00	16.25	17.00	3.25	29.75	15.00	105
2BH1 800-7A_0_	2.5	6.17	33.00	19.50	18.00	14.25	11.00	4.25	20.50	3.25	22.25	18.50	5.75	32.75	17.75	285
2BH1 800-7A_1_	2.5	8.45	33.00	19.50	18.00	14.25	11.00	4.25	20.50	3.25	22.25	18.50	5.75	32.75	17.75	320
2BH1 800-7A_2_	2.5	11.53	33.00	19.50	18.00	14.25	11.00	4.25	20.50	3.25	22.25	18.50	5.75	32.75	17.75	325
2BH1 900-7A_0_	4	13.14	43.00	21.75	21.50	14.25	23.50	3.00	15.25	3.50	25.00	24.75	-1.25	45.25	23.00	435
2BH1 900-7A_1_	4	19.44	43.00	21.75	21.50	14.25	23.50	3.00	15.25	3.50	25.00	24.75	-1.25	45.25	23.00	485
2BH1 900-7A_3_	4	28.56	43.00	21.75	21.50	14.25	23.50	3.00	15.25	3.50	25.00	24.75	-1.25	45.25	23.00	520

NOTES:  
1. DIMENSIONS AND WEIGHTS ARE NOT CERTIFIED  
2. DIMENSIONS ARE IN INCHES AND WEIGHTS IN POUNDS  
3. WEIGHTS ARE APPROXIMATE  
4. DIMENSIONS A, C, G AND L ARE APPROXIMATE TO 1/2", OTHERS TO 1/4"  
5. NOMENCLATURE OF THE MODEL NUMBER : 2BH1 600-7A\_0\_  
MOTOR 3 PHASES, 220-275 V Δ / 380-480 V Y : H 6  
MOTOR 3 PHASES, 575 V Δ : C 5  
MOTOR 1 PHASE, 100/200 V : V 4  
MOTOR 1 PHASE, 115/230 V : V 5



514-695-4740 F: 514-695-0581 www.aircom.ca

ELMO RIETSCHLE REGENERATIVE BLOWER PACKAGE -PRESSURE- DIMENSIONAL DRAWING

DWG NO.: 0531-E	DATE: 04/19/2011	P. 1 OF 1
		REV. 1

THIS DRAWING & ALL INFORMATION THERE ON IS THE PROPRIETY OF AIRCOM TECHNOLOGIES INC. & IS CONSIDERED CONFIDENTIAL