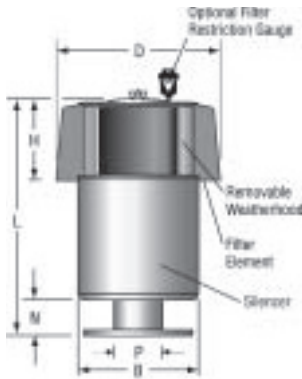
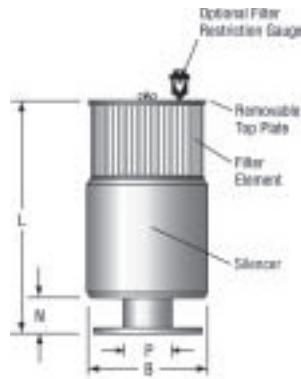


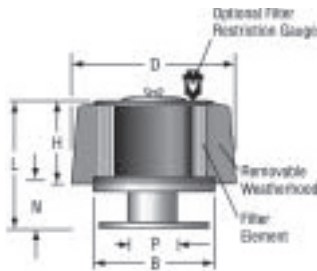
CCS Series (with weatherhood)



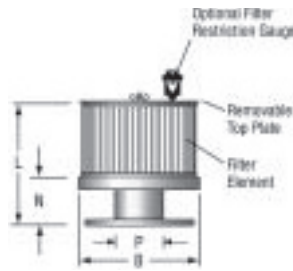
CS Series (with top plate)



CCF Series (with weatherhood)



CF Series (with top plate)



Universal Silencer's cartridge filters and filter-silencers offer high-performance filtration and silencing in a convenient, economical cartridge configuration. Choose from four standard models for pipe sizes ranging from 1/2" to 16" and for flow capacities ranging from 15 to 7,700 CFM. Three types of filter element media—pleated paper, pleated felt, or wire mesh—are available to suit your application.

The CCF and CF series filters are high-quality air filters without a silencing section. The CCF has a removable weatherhood, and the CF has a removable top plate. Our CCS and CS intake filter-silencers have a built-in silencing section. The CCS features a removable weatherhood, and the CS has a removable top plate for easy access to the filter element.

Performance Benefits

- ✦ **Durability**
Weatherhoods for CCF and CCS sizes 2 1/2" through 5" are rugged blue ABS composite material that may be painted. All other components are carbon steel construction with a high-quality semi-gloss enamel finish.
- ✦ **High Performance**
Unique design options, combined with the latest manufacturing techniques, ensure optimum performance and long life even under demanding conditions.
- ✦ **Functional**
Choice of filter only or filter-silencer.
- ✦ **Easy to Maintain**
Removable lightweight weatherhood (CCS and CCF) or removable top plate (CS and CF) for easy access to the filter element.
- ✦ **Versatile**
Interchangeable element options for desired filtration characteristics in the same housing.

Part Numbers

Pipe Size	CCS	CS	CCF	CF
1/2	34-K50-TT*	34-M50-TT*		
3/4	34-K70-TT*	34-M70-TT*	<i>Sizes 1/2"-1" Use CCS or CS Series</i>	
1	34-K01-TT*	34-M01-TT*		
1 1/4	34-K21-TT*	34-M21-TT*	34-L21-TT*	34-N21-TT*
1 1/2	34-K15-TT*	34-M15-TT*	34-L15-TT*	34-N15-TT*
2	34-K02-TT*	34-M02-TT*	34-L02-TT*	34-N02-TT*
2 1/2	34-K25-TT*	34-M25-TT*	34-L25-TT*	34-N25-TT*
3	34-K03-TT*	34-M03-TT*	34-L03-TT*	34-N03-TT*
3 1/2	34-K35-TT*	34-M35-TT*	34-L35-TT*	34-N35-TT*
4	34-K04-TT*	34-M04-TT*	34-L04-TT*	34-N04-TT*
4	34-K04-AA*	34-M04-AA*	34-L04-AA*	34-N04-AA*
5	34-K05-TT*	34-M05-TT*	34-L05-TT*	34-N05-TT*
5	34-K05-AA*	34-M05-AA*	34-L05-AA*	34-N05-AA*
6	34-K06-AA*	34-M06-AA*	34-L06-AA*	34-N06-AA*
8	34-K08-AA*	34-M08-AA*	34-L08-AA*	34-N08-AA*
10	34-K10-AA*	34-M10-AA*	34-L10-AA*	34-N10-AA*
12	34-K12-AA*	34-M12-AA*	34-L12-AA*	34-N12-AA*
14	34-K14-AA*	34-M14-AA*	34-L14-AA*	34-N14-AA*
16	34-K16-AA*	34-M16-AA*	34-L16-AA*	34-N16-AA*

*Specify "P" at end of part number for unit with pleated paper elements, "F" for pleated felt or "W" for wire mesh.

Noise Attenuation, CCS/CS

Attenuation, dB	Octave Band Center Frequency, Hz
5	63
8	125
10	250
12	500
14	1,000
14	2,000
14	4,000
14	8,000

Pressure Drop, All Models

Pressure Drop (in. of H ₂ O)	Percentage of Rated Flow
0.7	50%
1.6	75%
2.8	100%
4.4	125%
6.3	150%

P (size)	Rated Flow Cap. (CFM)	D	H	B	N				L				Approx. Weight with Paper Elements			
					CCF	CCS	CF	CS	CCF	CCS	CF	CS	CCF	CCS	CF	CS
1/2	15	8.00	3.13	6.00	Use	—	Use	—	Use	6.50	Use	6.50	Use	7	Use	7
3/4	22	8.00	3.13	6.00	CCS	—	CS	—	CCS	6.50	CS	6.50	CCS	7	CS	7
1	35	8.00	3.13	6.00	Series	—	Series	—	Series	6.50	Series	6.50	Series	7	Series	7
1 1/4	60	9.00	3.50	6.50	—	—	—	—	3.50	7.88	3.50	7.88	9	10	5	9
1 1/2	75	9.00	3.50	6.50	—	—	—	—	3.50	7.88	3.50	7.88	9	10	5	9
2	120	9.00	3.50	6.50	—	—	—	—	3.50	7.88	3.50	7.88	8	10	5	8
2 1/2	190	13.44	6.75	10.00	1.00	1.00	1.00	1.00	7.50	17.69	7.13	17.31	11	19	10	18
3	275	13.44	6.75	10.00	1.00	1.00	1.00	1.00	7.50	17.69	7.13	17.31	10	18	9	17
3 1/2	375	13.44	6.75	10.00	1.13	1.13	1.13	1.13	7.63	17.69	7.25	17.31	13	20	12	19
4 (NPT)	500	13.44	6.75	10.00	1.13	1.13	1.13	1.13	7.63	17.69	7.25	17.31	12	19	11	18
4 (flanged)	500	13.44	6.75	10.00	4.00	3.00	4.00	3.00	10.50	19.63	10.13	19.25	14	21	13	20
5 (NPT)	750	13.44	6.75	10.00	1.81	1.81	1.81	1.81	8.38	18.25	8.00	17.88	12	19	11	18
5 (flanged)	750	13.44	6.75	10.00	4.00	3.00	4.00	3.00	10.50	19.56	10.13	19.13	16	23	15	22
6	1,100	18.00	9.50	14.00	4.00	3.00	4.00	3.00	13.31	25.25	12.75	24.75	31	43	23	35
8	2,200	20.00	18.00	14.00	4.00	3.00	4.00	3.00	21.88	33.88	21.38	33.38	43	56	30	43
10	3,000	24.00	11.50	18.00	4.00	3.00	4.00	3.00	15.38	29.25	14.19	28.13	52	83	41	67
12	4,300	24.00	11.50	18.00	4.00	3.00	4.00	3.00	15.38	29.25	14.19	28.13	64	91	48	75
14	5,900	30.00	15.44	24.00	4.00	3.00	4.00	3.00	19.38	36.25	18.25	35.06	97	143	75	121
16	7,700	30.00	15.44	24.00	4.00	3.00	4.00	3.00	19.38	36.25	18.25	35.06	101	145	79	123

All models have a 1/8" FNPT tap for installation of a gauge or manometer to monitor pressure drop. Sizes 1/2" through 3 1/2" are standard with female pipe thread connection (FNPT). Sizes 4" and 5" are available with female threads or flanges. Please specify "threaded" or "flanged" when you order 4" and 5" sizes. Sizes 6" through 16" are standard with 150# ANSI drilled plate flanges. Rated capacity is based upon exit velocity of approximately 5,500 ft/min. If pressure drop allowance permits, capacity may be increased by as much as 50%.