



Optional U-Clamp



Note: RoHS applies only to SS internals

Description & Features:

- Liquid filled stainless steel case protects against vibration and pulsation
- Bayonet ring
- Highly accurate
- Back, bottom, or panel mounted
- Stainless steel or brass wetted parts
- Dry case available
- CRN registered
- 5 year warranty

Applications:

- Outdoor and severe ambient and process conditions
- Use where harmful vibration and pulsation are present
- Hydraulic equipment, pressure washers, oil field equipment, pumps, compressors and process systems

Specifications	Stainless Steel Internals	Brass Internals
Dial	2.5" (63mm), 4" (100mm), 6" (150mm) white aluminum with black and red markings	4" (100mm) white aluminum with black and red markings
Case	AISI 304 SS	AISI 304 SS
Lens	Polycarbonate	Polycarbonate
Ring	AISI 304 SS	AISI 304 SS
Socket	316 SS 2.5", 4": Welded one-piece socket	OT 58 brass
Connection	1/4" NPT or 1/2" NPT standard 2.5" (63mm): 1/4" NPT only	1/4" NPT or 1/2" NPT standard
Bourdon Tube	316 SS, drawn seamless	Phosphor bronze
Movement	304 SS 4" (100mm): Over/under stops (optional)	OT 59 brass
Pointer	2.5" (63mm): Aluminum, anodized black 4" (100mm), 6" (150mm): Aluminum, anodized black, micrometer adjustable	4" (100mm) aluminum, anodized black, micrometer adjustable
Welding	TIG	Silver alloy
Fill Liquid	Glycerin	Glycerin
Over-Pressure Limit	30% for pressures up to 600 psi (4,147 kPa), 15% for pressures over 600 psi (4,147 kPa)	25% for pressures up to 1,400 psi (9,653 kPa), 15% for pressures over 1,400 psi (9,653 kPa)
Socket Gasket	2.5" (63mm): Buna N for two-piece internal socket seal 6" (150mm): Buna N for one-piece external socket seal, Silicone rubber option	6" (150mm): Buna N for one-piece external socket seal, Silicone rubber option
Fill Plug	Buna N (Silicone rubber option)	Buna N (Silicone rubber option)
Lens Ring Gasket	Buna N (Silicone rubber option)	Buna N (Silicone rubber option)
Working Pressure	Maximum 75% of full scale value	Maximum 75% of full scale value
Ambient/Process Temperature	Dry: -40°F to 200°F (-40°C to 93°C) Glycerin Filled: -4°F to 150°F (-20°C to 65°C)	Dry: -40°F to 200°F (-40°C to 93°C) Glycerin Filled: -4°F to 150°F (-20°C to 65°C)
Accuracy	2.5" (63mm): ±1.5% of full scale value 4" (100mm), 6" (150mm): ±1% ANSI/ASME Grade 1A	4" (100mm): ±1% ANSI/ASME Grade 1A
Enclosure Rating	IP66, EN60529-1 (IEC529-1)	IP66, EN60529-1 (IEC529-1)

Dual Scale Order Codes (products in bold are normally in stock)

Dial Size	2.5" (63mm)		4" (100mm)				4" (100mm)			
Connection	1/4" Bottom	1/4" Back (CB)	1/4" Bottom	1/2" Bottom	1/4" Back (LB)	1/2" Back	1/4" Bottom	1/4" Back (LB)	1/2" Bottom	1/2" Back (LB)
Movement, Socket, Tube	SS	SS	Brass	Brass	Brass	Brass	SS	SS	SS	SS
30" Hg Vac/kPa	PFP820	PFP840	PFP600	PFP2284	PFP1000	-	PFP640	PFP1090	PFP655	PFP2308
30"/0/15 psi/kPa	PFP860	PFP870	PFP1020	PFP2285	PFP1028	-	PFP1036	PFP1244	PFP1044	PFP2309
30"/0/30 psi/kPa	PFP861	PFP871	PFP1021	PFP2286	PFP1029	-	PFP1037	PFP1245	PFP1045	PFP2310
30"/0/60 psi/kPa	PFP862	PFP872	PFP1022	PFP2287	PFP1030	-	PFP1038	PFP1246	PFP1046	PFP2311
30"/0/100 psi/kPa	PFP863	PFP873	PFP1023	PFP2288	PFP1031	-	PFP1039	PFP1247	PFP1047	PFP2312
30"/0/150 psi/kPa	PFP864	PFP874	PFP1024	PFP2289	PFP1032	-	PFP1040	PFP1248	PFP1048	PFP2313
30"/0/200 psi/kPa	PFP866	PFP876	PFP1026	PFP2290	PFP1034	-	PFP1042	PFP1249	PFP1050	PFP2314
30"/0/300 psi/kPa	PFP867	PFP877	PFP1027	PFP2291	PFP1035	-	PFP1043	PFP1250	PFP1051	PFP2315
0/15 psi/kPa	PFP821	PFP921	PFP601	PFP2292	PFP1001	-	PFP641	PFP1091	PFP656	PFP2316
0/30 psi/kPa	PFP822	PFP922	PFP602	PFP2293	PFP1002	-	PFP642	PFP1092	PFP657	PFP2317
0/60 psi/kPa	PFP823	PFP923	PFP603	PFP2294	PFP1003	-	PFP643	PFP1093	PFP658	PFP2318
0/100 psi/kPa	PFP824	PFP924	PFP604	PFP2295	PFP1004	-	PFP644	PFP1094	PFP659	PFP2319
0/160 psi/kPa	PFP825	PFP925	PFP605	PFP2296	PFP1005	-	PFP645	PFP1095	PFP660	PFP2320
0/200 psi/kPa	PFP826	PFP926	PFP606	PFP2297	PFP1006	-	PFP646	PFP1096	PFP661	PFP2321
0/300 psi/kPa	PFP827	PFP927	PFP607	PFP2298	PFP1007	-	PFP647	PFP1097	PFP662	PFP2322
0/400 psi/kPa	PFP880	PFP881	PFP610	PFP2299	PFP1016	-	PFP650	PFP1251	PFP666	PFP2323
0/600 psi/kPa	PFP828	PFP928	PFP608	PFP2300	PFP1008	-	PFP648	PFP1098	PFP663	PFP2324
0/1,000 psi/kPa	PFP829	PFP929	PFP609	PFP624	-	PFP1009	PFP649	PFP1099	PFP664	PFP2325
0/1,500 psi/kPa	PFP834	PFP934	-	PFP625	-	PFP1010	PFP2301	PFP1252	PFP665	PFP1190
0/2,000 psi/kPa	PFP830	PFP930	-	PFP626	-	PFP1011	PFP2302	PFP1253	PFP667	PFP1191
0/3,000 psi/kPa	PFP831	PFP931	-	PFP627	-	PFP1012	PFP2303	PFP1254	PFP668	PFP1192
0/5,000 psi/kPa	PFP832	PFP852	-	PFP628	-	PFP1013	PFP2304	PFP1255	PFP669	PFP1193
0/6,000 psi/kPa	PFP836	PFP851	-	PFP631	-	PFP1015	PFP2305	PFP1259	PFP675	PFP1197
0/10,000 psi/kPa	PFP833	PFP853	-	PFP629	-	PFP1014	PFP2306	PFP1256	PFP670	PFP1194
0/15,000 psi/kPa	PFP835	PFP855	-	PFP630	-	PFP1018	PFP2307	PFP1257	PFP671	PFP1195
0/20,000 psi/kPa	PFP837	-	-	PFP639	-	PFP1019	-	PFP1258	PFP672	PFP1196

Other ranges and connection sizes available upon request. 316 SS case and mountable bezel available upon request.

For scale change, please contact an Aircom Project Engineer.

For options, attach suffix to end of order code: i.e. PFP929-25UC for U-CLAMP.

Option suffix:

25BF = 2.5" (63mm) Back Flange

25FF = 2.5" (63mm) Front Flange

25UC = 2.5" (63mm) U-Clamp

25DRY = Supply 2.5" gauge less liquid fill

2.5 BOOT = 2.5" (63mm) black rubber boot

4BF = 4" (100mm) Back Flange

4FF = 4" (100mm) Front Flange

4UC-P = 4" (100mm) Premium U-Clamp

DRY = Supply 4" gauge less liquid fill

SF25 = Silicone Filled for 2.5"

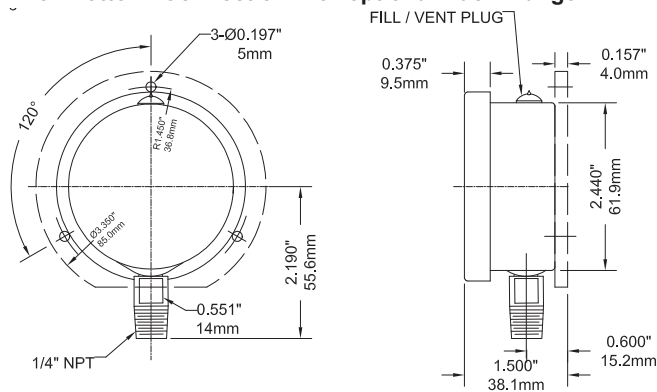
SF4 = Silicone Filled for 4"

SG-25 = Safety Glass 2.5"

SG-4 = Safety Glass Lens 4"

REST = Restrictor Screw

2.5" Bottom Connection with optional Back Flange



2.5" Back Connection with optional Front Flange

