

# DuroFlow<sup>®</sup> Industrial Series

Positive Displacement Blowers  
& Vacuum Pumps



**GD**  
**GARDNER DENVER**

*Experience Proven Results™*



## The Gardner Denver DuroFlow® Family of Products

For nearly fifty years, Gardner Denver DuroFlow positive displacement blowers/vacuum pumps have combined leading-edge technology and on-the-job experience to continuously deliver enhanced designs and improved performance.

### At-A-Glance Features

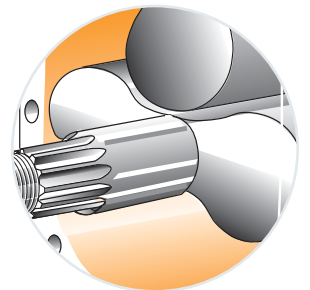
- Each model delivers clean, oil-free air to a wide range of industrial applications
- World-class engineering and design
- Manufactured under rigid ISO 9001 standards by quality craftspersons
- Exhaustively tested to meet strict performance criteria to ensure unequaled service life under the most severe operating conditions
- Available in the 30, 45 & 70 Series with various configurations and rotor lengths
- Horizontal or vertical mounting configuration available for each blower
- Supported by a worldwide network of trained professionals and backed by a manufacturer's warranty
  - 18 months from the date of shipment or
  - 12 months from the date of installation, whichever occurs first



30 Series Model 3004  
Also available 3006

### Durable

- Oversized bearings for added support and greater durability
  - Gear-end bearings support rotor shafts, while drive-end double-row angular contact ball bearings fix the rotor position
  - Prevents destructive axial rotor movement commonly caused by misaligned V-belt drives
- Durable single-piece cast iron cylinder with integral ribs<sup>1</sup>
  - Provides greater strength and rigidity
  - Ribs improve heat dissipation and prevent distortion that can affect internal clearances and reduce performance
- Innovative rotor/shaft design machined from a single, high-strength ductile iron casting and dynamically balanced
  - Assures extra strength and rigidity to handle maximum loads on a continuous basis without fatigue, deflection or vibration
- Solid rotors (30 & 45 Series only)
  - Eliminates potential for vibration caused when hollow rotors become unbalanced due to build-up of ingested material inside the rotor cavities



# DuroFlow = Durable, Reliable & Efficient

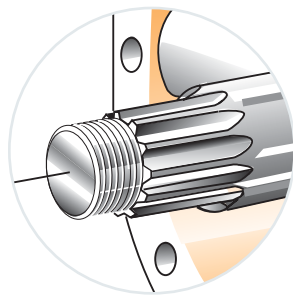
## The DuroFlow Product Line Delivers

- Pressure to 15 psig
- Vacuum to 16 inHg
- Airflow to 4282 cfm

Experience Proven Results with Gardner Denver — the Leader in Durability, Reliability and Efficiency

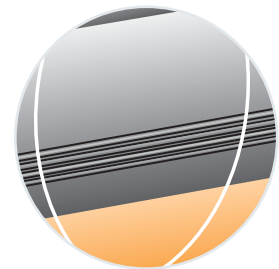
## Reliable

- Dual Splash Lubrication
  - Provides superior gear and bearing lubrication for longer life at all operating conditions
  - Reduces maintenance
- Advanced oil and air seal designs<sup>2</sup>
  - Piston rings and flinger maximize seal life in continuous, severe duty applications
  - Provides leak-free operation
  - O-rings placed under the drive shaft wear sleeve creates better sealing and prolongs life of rotors
- Timing gears are mounted on precision machined shaft splines
  - Assures secure non-slip rotor timing even under surge conditions or high torque start-up



## Efficient

- Helical timing gears, precision machined from alloy steel forgings
  - Guarantees quiet and smooth mechanical operation at all speeds
- Innovative rotor profile with serrated tips<sup>2</sup>
  - Increases blower efficiency and air sealing
  - Reduces power consumption and cooler operating temperature
- Noise Reduction
  - Extra cylinder mass and progressive porting aid in reducing noise
- Vertical or horizontal mounting configuration with each blower
  - Provides greater flexibility for installing into any new or existing system



<sup>1</sup> Integral ribs are not available on models 4504 and 4506

<sup>2</sup> 45 Series only

# Applications to Meet Your Industry Needs



| Industry               | Application                                 |
|------------------------|---------------------------------------------|
| Aquaculture            | Aeration                                    |
| Cement & Lime          | Fluidization & Conveying                    |
| Chemical               | Vacuum Processing & Conveying               |
| Dairy                  | Automated Milking                           |
| Dry Bulk Hauling       | Trailer Unloading & Aeration                |
| Environmental Services | Sewer Cleaning & Portable Restroom Services |
| Industrial             | Material Vacuuming                          |
| Milling & Baking       | Blending & Conveying                        |
| Power Generation       | Fly Ash Conveying & Aeration                |
| Pulp & Paper           | Chip Conveying & Process Vacuum             |
| Resin & Plastic        | Processing & Conveying                      |
| Vacuum Excavation      | Potholing & Slurry Recovery                 |
| Wastewater             | Aeration & Backwashing                      |

The table above illustrates industries which depend upon the DuroFlow Industrial Series to deliver clean, oil-free air to a wide range of global applications.



## Reach Higher with the DuroFlow 45 Series

| Product Design                                   | DuroFlow 45 Series                                                   | Competitor A                      | Competitor B            | DuroFlow Advantages                                                                                                                                                                                             |
|--------------------------------------------------|----------------------------------------------------------------------|-----------------------------------|-------------------------|-----------------------------------------------------------------------------------------------------------------------------------------------------------------------------------------------------------------|
| <b>Models</b>                                    | 5 sizes                                                              | 4 sizes                           | 4 sizes                 | <ul style="list-style-type: none"> <li>• Greater flow capacity</li> </ul>                                                                                                                                       |
| <b>Cylinder Design<sup>1</sup></b>               | One piece cylinder                                                   | Two piece cylinder                | One piece cylinder      | <ul style="list-style-type: none"> <li>• More rigid and durable</li> <li>• Noise &amp; pulsation dampening</li> <li>• Ensures better tip clearance accuracy</li> <li>• Easier assembly / disassembly</li> </ul> |
| <b>Cylinder Rib Design<sup>1, 2</sup></b>        | Integral cylinder ribs                                               | Minimal cylinder ribs             | Minimal cylinder ribs   | <ul style="list-style-type: none"> <li>• Improves heat dissipation</li> <li>• Reduces torsion on cylinder</li> </ul>                                                                                            |
| <b>Drive End Bearings<sup>1</sup></b>            | Oversized double row ball angular contact (drive & non-drive shafts) | Single row ball (non-drive shaft) | Cylindrical roller      | <ul style="list-style-type: none"> <li>• Increases bearing life</li> <li>• Better equipped to handle radial &amp; axial loads commonly caused by misaligned V-belt drives</li> </ul>                            |
| <b>Dual Splash Lubrication<sup>1</sup></b>       | Common oil sump                                                      | Separate oil reservoirs           | Separate oil reservoirs | <ul style="list-style-type: none"> <li>• Simpler maintenance</li> </ul>                                                                                                                                         |
| <b>Gear End Bearings</b>                         | Roller bearing                                                       | Single row ball                   | Double row ball         | <ul style="list-style-type: none"> <li>• Increases bearing life</li> </ul>                                                                                                                                      |
| <b>Gear Type<sup>1</sup></b>                     | Helical                                                              | Straight spur                     | Helical                 | <ul style="list-style-type: none"> <li>• Quiet &amp; smooth mechanical operation</li> <li>• Reduces backlash</li> </ul>                                                                                         |
| <b>Gear Attachments<sup>1</sup></b>              | Spline gear fit                                                      | Taper gear fit                    | Keyed interference fit  | <ul style="list-style-type: none"> <li>• Eliminates timing loss and improves reliability</li> </ul>                                                                                                             |
| <b>Impeller Tips</b>                             | Serrated                                                             | Radius                            | Radius                  | <ul style="list-style-type: none"> <li>• Improves performance</li> <li>• Reduces power consumption</li> <li>• Cooler operating temperatures</li> </ul>                                                          |
| <b>Main Air Seal</b>                             | Piston ring                                                          | Piston ring                       | Piston ring             | <ul style="list-style-type: none"> <li>• Longer seal life</li> <li>• Less wear</li> </ul>                                                                                                                       |
| <b>Main Oil Seal</b>                             | Two piston ring seals with slinger and groove                        | Lip seal                          | Lip seal                | <ul style="list-style-type: none"> <li>• Superior oil sealing</li> </ul>                                                                                                                                        |
| <b>Shaft Seal<sup>1</sup> &amp; Seal Surface</b> | Viton lip seal with o-rings wear sleeve                              | Viton lip seal on shaft           | Lip seal on shaft       | <ul style="list-style-type: none"> <li>• Improves sealing method</li> <li>• Extended shaft life</li> </ul>                                                                                                      |

<sup>1</sup>Also standard features on the 30 and 70 Series

<sup>2</sup> Model sizes 4509, 4512 & 4518

## 45 Series Design Advantages



Model 4504

Model 4506

Model 4509

Model 4512

Model 4518

### Dual Splash Lubrication

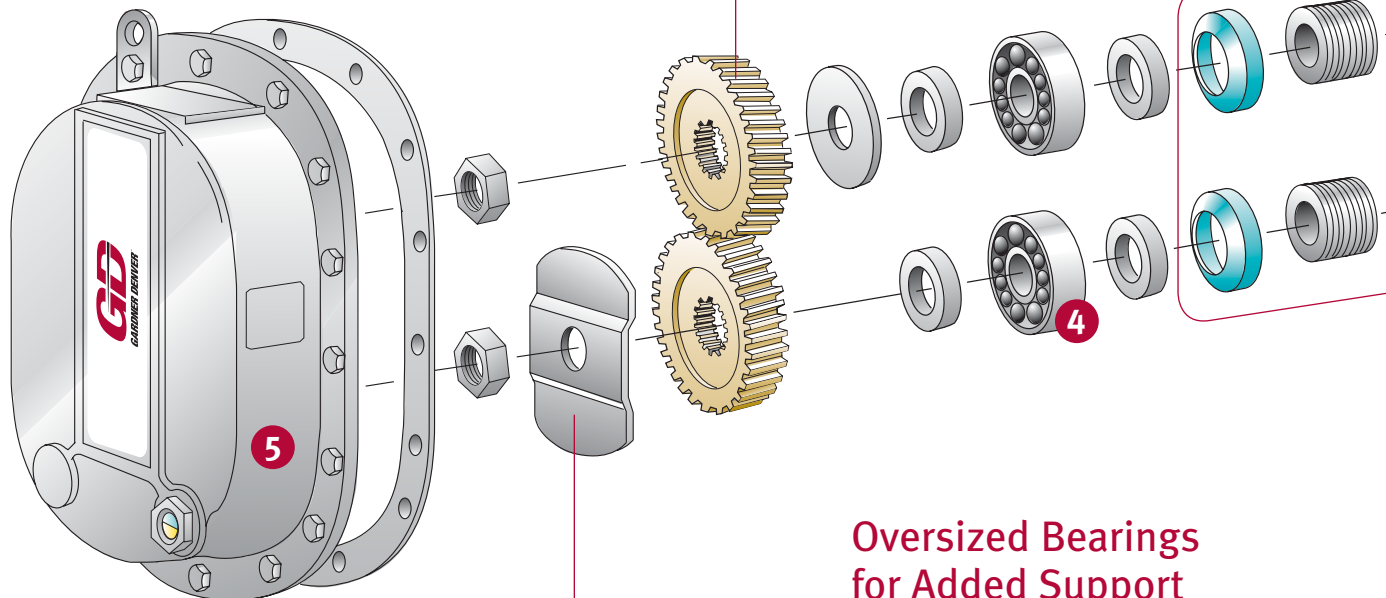
- Reliable splash lubrication at both gear and drive ends for longer product life (5)

### Shaft Splines Assure Non-Slip Rotor Timing

- Helical timing gears are mounted on shaft splines (6)
- Provides quiet and smooth mechanical operation at all speeds

### Improved Design Provides Leak-Free Operation

- Advanced Oil and Air Seals
- Piston rings and flinger maximize seal life in continuous, severe duty applications



### Efficient Lubrication

- Slinger ensures lubricant is distributed to gears and bearings

### Oversized Bearings for Added Support and Greater Durability

- Drive-end double-row angular contact ball bearings fix the rotor position (3)
- Gear-end roller bearings support each shaft (4)

## Striving for More

### Solid Rotors Eliminate Potential for Vibration

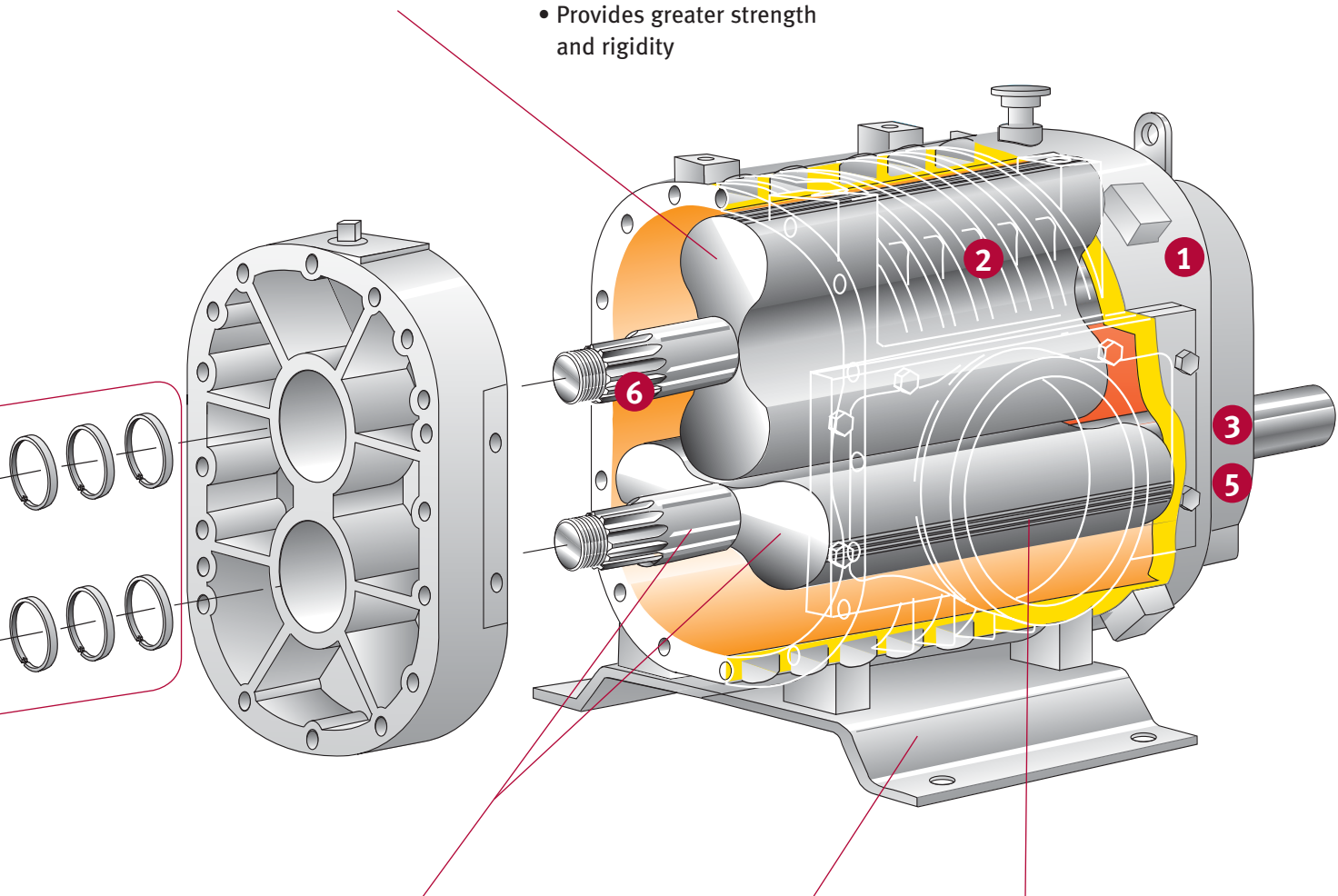
- Hollow rotors can become unbalanced due to build-up of ingested material inside the rotor

### Single Piece Cylinder Prevents Distortion (1)

- Heavy-duty reinforced cast iron cylinder retains internal clearances
- Provides greater strength and rigidity

### Cooler Operating Temperatures

- Integral ribs improve heat dissipation and improve performance (2)



### Durable Rotors & Shafts

- Machined from a single, high-strength ductile iron casting
- Dynamically balanced

### Vertical or Horizontal Mounting Configuration

- Flex-Mount™ design standard with each blower
- Flexibility for installing into any new or existing system

### Serrated Tips Reduce Power Consumption

- Innovative rotor profile provides tighter clearances
- More air flow with less horsepower
- Precision machined with advanced CNC milling technology

# Dimensional Data

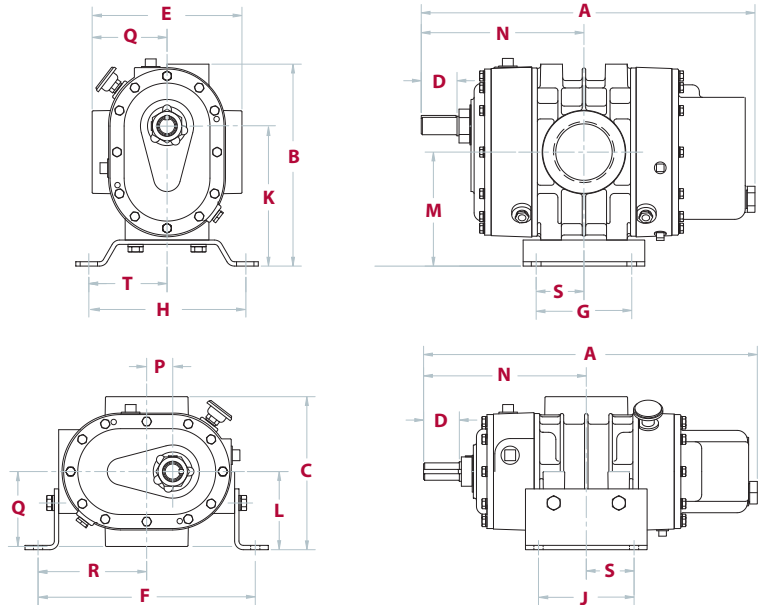
## 30 Series

| Model | WT. | Port Size Conn. | Shaft Diam. | A     | B     | C    | D    | E    | F     | G    | H    | J    | K    | L    | M    | N    | P    | Q    | R    | S    | T    |
|-------|-----|-----------------|-------------|-------|-------|------|------|------|-------|------|------|------|------|------|------|------|------|------|------|------|------|
| 3004  | 90  | 2.5" NPT        | 1.00        | 17.20 | 11.62 | 8.91 | 2.06 | 8.82 | 12.50 | 4.00 | 9.00 | 4.00 | 8.06 | 4.50 | 6.56 | 8.36 | 1.50 | 4.41 | 6.25 | 2.00 | 4.50 |
| 3006  | 110 | 3" NPT          | 1.00        | 19.20 | 11.62 | 8.81 | 2.06 | 8.82 | 12.50 | 5.50 | 9.00 | 5.50 | 8.06 | 4.50 | 6.56 | 9.36 | 1.50 | 4.31 | 6.25 | 2.75 | 4.50 |

Weights are in pounds and include shipping cartons or pallets.  
 All dimensions shown in inches.  
 30 Series Mounting Bolt Hole Diameter = .56 inches.



30 Series Model 3004



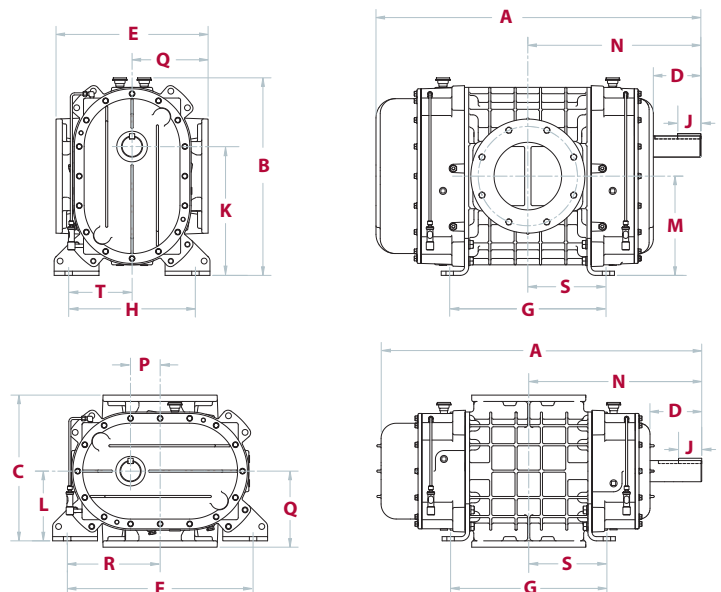
## 70 Series

| Model | WT.  | Port Size Conn. | Shaft Diam. | A     | B     | C     | D    | E     | F     | G     | H     | J    | K     | L    | M     | N     | P    | Q    | R     | S     | T    |
|-------|------|-----------------|-------------|-------|-------|-------|------|-------|-------|-------|-------|------|-------|------|-------|-------|------|------|-------|-------|------|
| 7009  | 740  | 6" NPT          | 2.50        | 32.42 | 23.62 | 17.25 | 5.68 | 18.00 | 22.00 | 12.50 | 15.00 | 2.75 | 15.25 | 8.25 | 11.75 | 17.49 | 3.50 | 9.00 | 11.00 | 6.25  | 7.50 |
| 7012  | 850  | 8" Flange       | 2.50        | 35.43 | 23.62 | 17.25 | 5.68 | 18.00 | 22.00 | 15.50 | 15.00 | 2.75 | 15.25 | 8.25 | 11.75 | 18.99 | 3.50 | 9.00 | 11.00 | 7.75  | 7.50 |
| 7015  | 940  | 8" Flange       | 2.50        | 38.44 | 23.62 | 17.25 | 5.64 | 18.00 | 22.00 | 18.50 | 15.00 | 2.75 | 15.25 | 8.25 | 11.75 | 20.47 | 3.50 | 9.00 | 11.00 | 9.25  | 7.50 |
| 7018  | 990  | 10" Flange      | 2.50        | 41.44 | 23.62 | 17.25 | 5.64 | 18.00 | 22.00 | 21.50 | 15.00 | 2.75 | 15.25 | 8.25 | 11.75 | 21.97 | 3.50 | 9.00 | 11.00 | 10.75 | 7.50 |
| 7023  | 1100 | 12" Flange      | 2.50        | 46.44 | 23.62 | 17.25 | 5.62 | 18.00 | 22.00 | 26.50 | 15.00 | 2.75 | 15.25 | 8.25 | 11.75 | 24.47 | 3.50 | 9.00 | 11.00 | 13.25 | 7.50 |
| 7028  | 1200 | 12" Flange      | 2.50        | 51.44 | 23.62 | 17.25 | 5.62 | 18.00 | 22.00 | 31.50 | 15.00 | 2.75 | 15.25 | 8.25 | 11.75 | 26.97 | 3.50 | 9.00 | 11.00 | 15.75 | 7.50 |

Weights are in pounds and include shipping cartons or pallets.  
 All dimensions shown in inches.  
 70 Series Mounting Bolt Hole Diameter = .88 inches.



70 Series Model 7015

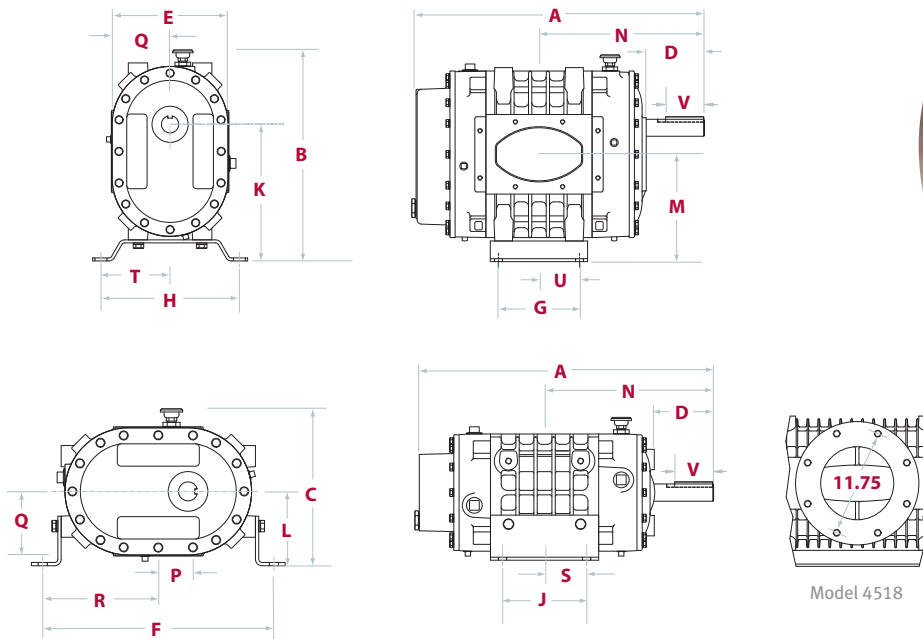




## 45 Series

| Model | WT. | Port Size Conn. | Shaft Diam. | A     | B     | C     | D    | E     | F     | G     | H     | J     | K     | L    | M    | N     | P    | Q    | R    | S    | T    | U    | V    |
|-------|-----|-----------------|-------------|-------|-------|-------|------|-------|-------|-------|-------|-------|-------|------|------|-------|------|------|------|------|------|------|------|
| 4504  | 190 | 4" NPT          | 1.44        | 18.01 | 17.54 | 11.88 | 3.43 | 9.75  | 17.50 | 4.87  | 11.50 | 5.00  | 11.35 | 5.62 | 9.10 | 10.05 | 2.25 | 4.87 | 8.75 | 3.50 | 5.75 | 2.44 | 3.00 |
| 4506  | 220 | 4" NPT          | 1.44        | 21.51 | 17.54 | 11.88 | 4.93 | 9.75  | 17.50 | 6.87  | 11.50 | 7.00  | 11.35 | 5.62 | 9.10 | 12.55 | 2.25 | 4.87 | 8.75 | 3.50 | 5.75 | 3.44 | 3.50 |
| 4509  | 260 | 4" or 5" NPT    | 1.44        | 24.45 | 17.54 | 11.88 | 4.93 | 9.75  | 17.50 | 6.87  | 11.50 | 7.00  | 11.35 | 5.62 | 9.10 | 14.03 | 2.25 | 4.87 | 8.75 | 3.50 | 5.75 | 3.44 | 3.50 |
| 4512  | 300 | 6" NPT          | 1.44        | 27.51 | 17.54 | 11.88 | 4.93 | 9.75  | 17.50 | 9.87  | 11.50 | 10.00 | 11.35 | 5.62 | 9.10 | 15.55 | 2.25 | 4.87 | 8.75 | 5.00 | 5.75 | 4.94 | 3.50 |
| 4518  | 460 | 8" Flange       | 1.44        | 33.51 | 17.54 | 11.88 | 4.93 | 13.00 | 17.50 | 15.87 | 11.50 | 16.00 | 11.35 | 5.62 | 9.10 | 18.53 | 2.25 | 6.50 | 8.75 | 8.00 | 5.75 | 7.94 | 3.50 |

Weights are in pounds and include shipping cartons or pallets. All dimensions shown in inches. 45 Series Mounting Bolt Hole Diameter = .69 inches. 4518 dimensional variations available upon request.



45 Series Model 4509

## Flex-Mount™ Design Provides Maximum Installation Versatility

- Flex-Mount™ Design and available porting connectors provide installation flexibility
- Assures interchangeability of existing installed DuroFlow models or compatibility as replacement for most competitive models
- Reduces inventory requirements due to machine flexibility



70 Series Model 7015  
Also available 7009, 7012, 7018, 7023, 7028

# Pressure Performance Data

## 30 Series

| MODEL | RPM   | 4 PSIG |     | 6 PSIG |     | 8 PSIG |      | 10 PSIG |      | 12 PSIG |      | 15 PSIG |      |
|-------|-------|--------|-----|--------|-----|--------|------|---------|------|---------|------|---------|------|
|       |       | CFM    | BHP | CFM    | BHP | CFM    | BHP  | CFM     | BHP  | CFM     | BHP  | CFM     | BHP  |
| 3004  | 2,950 | 94     | 2.5 | 85     | 3.7 | 78     | 4.8  | 72      | 6.0  | 66      | 7.1  |         |      |
|       | 3,550 | 121    | 3.1 | 112    | 4.5 | 105    | 5.9  | 99      | 7.3  | 93      | 8.7  | 85      | 10.8 |
|       | 4,000 | 141    | 3.6 | 133    | 5.2 | 125    | 6.8  | 119     | 8.3  | 113     | 9.9  | 105     | 12.3 |
| 3006  | 2,950 | 146    | 3.7 | 133    | 5.4 | 123    | 7.2  | 114     | 8.9  | 105     | 10.7 |         |      |
|       | 3,550 | 186    | 4.6 | 174    | 6.7 | 164    | 8.8  | 154     | 10.9 | 146     | 13.0 | 135     | 16.1 |
|       | 4,000 | 217    | 5.2 | 205    | 7.6 | 194    | 10.0 | 185     | 12.4 | 177     | 14.7 | 165     | 18.3 |

## 45 Series

| MODEL | RPM   | 4 PSIG |      | 6 PSIG |      | 8 PSIG |      | 10 PSIG |      | 12 PSIG |      | 15 PSIG |      |
|-------|-------|--------|------|--------|------|--------|------|---------|------|---------|------|---------|------|
|       |       | CFM    | BHP  | CFM    | BHP  | CFM    | BHP  | CFM     | BHP  | CFM     | BHP  | CFM     | BHP  |
| 4504  | 1,750 | 137    | 3.7  | 123    | 5.4  | 112    | 7.2  | 102     | 8.9  | 93      | 10.6 |         |      |
|       | 2,950 | 271    | 7.3  | 258    | 10.2 | 247    | 13.0 | 237     | 15.9 | 228     | 18.8 | 216     | 23.1 |
|       | 4,000 | 389    | 11.6 | 375    | 15.5 | 364    | 19.4 | 354     | 23.3 | 345     | 27.2 | 333     | 33.1 |
| 4506  | 1,750 | 214    | 5.5  | 196    | 8.1  | 181    | 10.6 | 167     | 13.2 | 155     | 15.8 |         |      |
|       | 2,950 | 415    | 10.5 | 397    | 14.8 | 382    | 19.1 | 369     | 23.5 | 357     | 27.8 | 340     | 34.3 |
|       | 4,000 | 592    | 16.3 | 574    | 22.2 | 559    | 28.0 | 545     | 33.9 | 533     | 39.8 | 517     | 48.5 |
| 4509  | 1,750 | 324    | 8.4  | 297    | 12.2 | 275    | 16.1 | 255     | 19.9 | 238     | 23.8 |         |      |
|       | 2,950 | 626    | 16.3 | 600    | 22.7 | 577    | 29.2 | 558     | 35.7 | 540     | 42.2 | 516     | 51.9 |
|       | 4,000 | 891    | 25.8 | 864    | 34.6 | 842    | 43.4 | 822     | 52.1 | 805     | 60.9 | 781     | 74.1 |
| 4512  | 1,750 | 454    | 11.0 | 424    | 16.2 | 399    | 21.3 | 377     | 26.4 | 357     | 31.5 | 329     | 39.2 |
|       | 2,950 | 858    | 21.0 | 828    | 29.6 | 802    | 38.3 | 780     | 46.9 | 760     | 55.5 | 732     | 68.5 |
|       | 4,000 | 1,210  | 32.6 | 1,180  | 44.4 | 1,155  | 56.1 | 1,133   | 67.8 | 1,113   | 79.5 | 1,085   | 97.1 |
| 4518  | 1,750 | 696    | 16.3 | 654    | 24.0 | 618    | 31.7 | 587     | 39.3 |         |      |         |      |
|       | 2,950 | 1,300  | 30.2 | 1,259  | 43.1 | 1,223  | 56.1 | 1,192   | 69.1 |         |      |         |      |
|       | 4,000 | 1,830  | 45.8 | 1,788  | 63.3 | 1,752  | 80.9 | 1,721   | 98.5 |         |      |         |      |

## 70 Series

| MODEL | RPM   | 4 PSIG |       | 6 PSIG |       | 8 PSIG |       | 10 PSIG |       | 12 PSIG |       | 15 PSIG |       |
|-------|-------|--------|-------|--------|-------|--------|-------|---------|-------|---------|-------|---------|-------|
|       |       | CFM    | BHP   | CFM    | BHP   | CFM    | BHP   | CFM     | BHP   | CFM     | BHP   | CFM     | BHP   |
| 7009  | 1,500 | 622    | 15.8  | 563    | 23.5  | 513    | 31.2  | 469     | 38.9  | 429     | 46.7  |         |       |
|       | 1,800 | 799    | 19.1  | 740    | 28.4  | 690    | 37.7  | 646     | 46.9  | 606     | 56.2  | 552     | 70.1  |
|       | 2,650 | 1,300  | 29.3  | 1,241  | 42.9  | 1,191  | 56.5  | 1,147   | 70.2  | 1,108   | 83.8  | 1,054   | 104.3 |
| 7012  | 1,500 | 853    | 21.0  | 779    | 31.4  | 716    | 41.7  | 660     | 52.0  | 610     | 62.4  |         |       |
|       | 1,800 | 1,090  | 25.4  | 1,016  | 37.8  | 953    | 50.2  | 897     | 62.6  | 847     | 75.0  | 779     | 93.6  |
|       | 2,650 | 1,762  | 38.5  | 1,687  | 56.8  | 1,624  | 75.0  | 1,569   | 93.3  | 1,519   | 111.5 | 1,451   | 138.9 |
| 7015  | 1,500 | 1,088  | 26.0  | 1,002  | 38.8  | 929    | 51.6  | 866     | 64.5  | 808     | 77.3  |         |       |
|       | 1,800 | 1,382  | 31.4  | 1,296  | 46.8  | 1,223  | 62.2  | 1,160   | 77.5  | 1,102   | 92.9  | 1,024   | 116.0 |
|       | 2,650 | 2,215  | 47.3  | 2,129  | 69.9  | 2,056  | 92.6  | 1,993   | 115.2 | 1,935   | 137.9 | 1,857   | 171.8 |
| 7018  | 1,500 | 1,322  | 31.2  | 1,221  | 46.7  | 1,136  | 62.1  | 1,061   | 77.5  | 993     | 93.0  |         |       |
|       | 1,800 | 1,676  | 37.7  | 1,575  | 56.2  | 1,490  | 74.7  | 1,415   | 93.2  | 1,308   | 111.8 | 1,211   | 139.5 |
|       | 2,650 | 2,679  | 56.5  | 2,578  | 83.8  | 2,493  | 111.1 | 2,418   | 138.3 | 2,310   | 165.6 | 2,214   | 206.5 |
| 7023  | 1,500 | 1,709  | 41.9  | 1,578  | 61.6  | 1,479  | 81.4  | 1,386   | 101.1 | 1,303   | 120.9 |         |       |
|       | 1,800 | 2,162  | 51.5  | 2,037  | 75.2  | 1,932  | 98.9  | 1,839   | 122.6 | 1,756   | 146.3 |         |       |
|       | 2,650 | 3,370  | 80.8  | 3,245  | 115.0 | 3,140  | 149.2 | 3,047   | 183.5 | 2,964   | 217.7 |         |       |
| 7028  | 1,500 | 2,094  | 51.4  | 1,944  | 75.4  | 1,818  | 99.5  | 1,707   | 123.6 |         |       |         |       |
|       | 1,800 | 2,646  | 63.4  | 2,496  | 92.2  | 2,370  | 121.1 | 2,259   | 150.0 |         |       |         |       |
|       | 2,600 | 4,118  | 100.3 | 3,968  | 142.0 | 3,842  | 183.8 | 3,731   | 225.5 |         |       |         |       |

Performance based on inlet air at standard temperature of 68° F, an ambient pressure of 14.7 psia and 36% relative humidity.  
For performance at non-standard conditions, contact your authorized Gardner Denver representative.

# Vacuum Performance Data

## 30 Series

| MODEL | RPM   | 4 inHg |     | 6 inHg |     | 8 inHg |     | 10 inHg |     | 12 inHg |     | 14 inHg |     | 15 inHg |     |
|-------|-------|--------|-----|--------|-----|--------|-----|---------|-----|---------|-----|---------|-----|---------|-----|
|       |       | CFM    | BHP | CFM    | BHP | CFM    | BHP | CFM     | BHP | CFM     | BHP | CFM     | BHP | CFM     | BHP |
| 3004  | 2,950 | 104    | 1.3 | 96     | 1.9 | 88     | 2.5 | 80      | 3.0 | 72      | 3.6 |         |     |         |     |
|       | 3,550 | 131    | 1.7 | 123    | 2.4 | 115    | 3.1 | 107     | 3.8 | 99      | 4.5 | 90      | 5.1 |         |     |
|       | 4,000 | 151    | 2.0 | 143    | 2.8 | 135    | 3.6 | 127     | 4.4 | 119     | 5.1 | 110     | 5.9 | 106     | 6.3 |
| 3006  | 2,950 | 159    | 1.9 | 148    | 2.8 | 137    | 3.6 | 126     | 4.5 | 114     | 5.4 | 102     | 6.2 |         |     |
|       | 3,550 | 200    | 2.4 | 189    | 3.5 | 178    | 4.5 | 167     | 5.5 | 155     | 6.6 | 142     | 7.6 | 136     | 8.1 |
|       | 4,000 | 231    | 2.8 | 219    | 4.0 | 208    | 5.2 | 197     | 6.3 | 186     | 7.5 | 173     | 8.7 | 166     | 9.2 |

## 45 Series

| MODEL | RPM   | 4 inHg |      | 6 inHg |      | 8 inHg |      | 10 inHg |      | 12 inHg |      | 14 inHg |      | 15 inHg |      | 16 inHg |      |
|-------|-------|--------|------|--------|------|--------|------|---------|------|---------|------|---------|------|---------|------|---------|------|
|       |       | CFM    | BHP  | CFM    | BHP  | CFM    | BHP  | CFM     | BHP  | CFM     | BHP  | CFM     | BHP  | CFM     | BHP  | CFM     | BHP  |
| 4504  | 1,750 | 151    | 2.0  | 139    | 2.8  | 127    | 3.6  | 115     | 4.4  | 103     | 5.2  |         |      |         |      |         |      |
|       | 2,950 | 286    | 4.2  | 273    | 5.5  | 262    | 6.8  | 250     | 8.1  | 237     | 9.4  | 224     | 10.7 |         |      |         |      |
|       | 4,000 | 403    | 7.1  | 391    | 8.8  | 379    | 10.5 | 367     | 12.1 | 355     | 13.8 | 341     | 15.5 | 334     | 16.3 | 326     | 17.1 |
| 4506  | 1,750 | 233    | 2.9  | 217    | 4.1  | 201    | 5.3  | 185     | 6.6  | 168     | 7.8  |         |      |         |      |         |      |
|       | 2,950 | 435    | 5.8  | 418    | 7.8  | 402    | 9.8  | 386     | 11.8 | 369     | 13.8 | 351     | 15.8 | 341     | 16.8 | 330     | 17.8 |
|       | 4,000 | 611    | 9.7  | 595    | 12.3 | 579    | 14.9 | 563     | 17.5 | 546     | 20.0 | 527     | 22.6 | 517     | 23.9 | 507     | 25.2 |
| 4509  | 1,750 | 352    | 4.4  | 328    | 6.2  | 305    | 8.1  | 281     | 9.9  | 257     | 11.7 |         |      |         |      |         |      |
|       | 2,950 | 655    | 9.2  | 631    | 12.2 | 607    | 15.1 | 584     | 18.1 | 559     | 21.1 | 532     | 24.0 | 517     | 25.5 | 502     | 27.0 |
|       | 4,000 | 919    | 15.7 | 895    | 19.5 | 872    | 23.3 | 848     | 27.0 | 824     | 30.8 | 797     | 34.6 | 782     | 36.5 | 766     | 38.4 |
| 4512  | 1,750 | 487    | 5.7  | 459    | 8.2  | 433    | 10.6 | 406     | 13.1 | 378     | 15.6 | 347     | 18.0 |         |      |         |      |
|       | 2,950 | 890    | 11.7 | 863    | 15.7 | 836    | 19.7 | 809     | 23.7 | 781     | 27.7 | 750     | 31.7 | 734     | 33.7 | 716     | 35.7 |
|       | 4,000 | 1,243  | 19.5 | 1,215  | 24.6 | 1,189  | 29.8 | 1,162   | 34.9 | 1,134   | 40.0 | 1,103   | 45.2 | 1,087   | 47.8 | 1,069   | 50.3 |
| 4518  | 1,750 | 741    | 8.3  | 703    | 12.0 | 666    | 15.8 | 628     | 19.5 | 589     | 23.2 | 546     | 26.9 |         |      |         |      |
|       | 2,950 | 1,346  | 16.4 | 1,308  | 22.5 | 1,271  | 28.6 | 1,233   | 34.7 | 1,194   | 40.8 | 1,151   | 46.8 | 1,128   | 49.9 | 1,103   | 52.9 |
|       | 4,000 | 1,875  | 26.5 | 1,837  | 34.4 | 1,800  | 42.3 | 1,762   | 50.2 | 1,723   | 58.2 | 1,680   | 66.1 | 1,657   | 70.0 | 1,632   | 74.0 |

## 70 Series

| MODEL | RPM   | 4 inHg |      | 6 inHg |      | 8 inHg |      | 10 inHg |       | 12 inHg |       | 14 inHg |       | 15 inHg |       | 16 inHg |       |
|-------|-------|--------|------|--------|------|--------|------|---------|-------|---------|-------|---------|-------|---------|-------|---------|-------|
|       |       | CFM    | BHP  | CFM    | BHP  | CFM    | BHP  | CFM     | BHP   | CFM     | BHP   | CFM     | BHP   | CFM     | BHP   | CFM     | BHP   |
| 7009  | 1,500 | 687    | 7.9  | 632    | 11.7 | 580    | 15.5 | 528     | 19.3  | 472     | 23.1  | 412     | 26.9  |         |       |         |       |
|       | 1,800 | 864    | 9.7  | 809    | 14.3 | 757    | 18.8 | 705     | 23.4  | 649     | 27.9  | 589     | 32.5  |         |       |         |       |
|       | 2,650 | 1,365  | 15.4 | 1,311  | 22.1 | 1,259  | 28.8 | 1,206   | 35.5  | 1,151   | 42.2  | 1,090   | 48.9  | 1,058   | 52.2  | 1,023   | 55.6  |
| 7012  | 1,500 | 935    | 10.5 | 866    | 15.6 | 801    | 20.7 | 734     | 25.7  | 665     | 30.8  | 589     | 35.9  |         |       |         |       |
|       | 1,800 | 1,172  | 12.8 | 1,103  | 18.9 | 1,038  | 25.0 | 971     | 31.1  | 902     | 37.2  | 826     | 43.3  | 784     | 46.3  |         |       |
|       | 2,650 | 1,844  | 19.9 | 1,775  | 28.9 | 1,709  | 37.9 | 1,634   | 46.8  | 1,573   | 55.8  | 1,497   | 64.8  | 1,456   | 69.3  | 1,412   | 73.7  |
| 7015  | 1,500 | 1,182  | 13.0 | 1,103  | 19.3 | 1,027  | 25.5 | 951     | 31.8  | 870     | 38.1  | 783     | 44.4  |         |       |         |       |
|       | 1,800 | 1,476  | 15.7 | 1,397  | 23.3 | 1,321  | 30.8 | 1,245   | 38.4  | 1,164   | 46.0  | 1,077   | 53.5  | 1,029   | 57.3  |         |       |
|       | 2,650 | 2,309  | 24.2 | 2,230  | 35.4 | 2,154  | 46.5 | 2,078   | 57.6  | 1,997   | 68.7  | 1,910   | 79.9  | 1,862   | 85.4  | 1,812   | 91.0  |
| 7018  | 1,500 | 1,432  | 15.5 | 1,340  | 23.1 | 1,251  | 30.7 | 1,161   | 38.3  | 1,067   | 45.9  | 964     | 53.4  |         |       |         |       |
|       | 1,800 | 1,786  | 18.8 | 1,694  | 27.9 | 1,605  | 37.0 | 1,515   | 46.1  | 1,421   | 55.2  | 1,318   | 64.3  | 1,262   | 68.9  |         |       |
|       | 2,650 | 2,789  | 28.8 | 2,697  | 42.2 | 2,608  | 55.6 | 2,518   | 69.0  | 2,424   | 82.4  | 2,321   | 95.8  | 2,265   | 102.5 | 2,205   | 109.2 |
| 7023  | 1,500 | 1,847  | 21.8 | 1,732  | 31.5 | 1,622  | 41.2 | 1,510   | 50.9  | 1,393   | 60.6  | 1,266   | 70.3  |         |       |         |       |
|       | 1,800 | 2,300  | 27.4 | 2,185  | 39.0 | 2,075  | 50.6 | 1,963   | 62.3  | 1,846   | 73.9  | 1,719   | 85.6  | 1,650   | 91.4  |         |       |
|       | 2,600 | 3,508  | 45.9 | 3,393  | 62.7 | 3,283  | 79.6 | 3,171   | 96.4  | 3,054   | 113.2 | 2,927   | 130.0 | 2,858   | 138.4 | 2,784   | 146.8 |
| 7028  | 1,500 | 2,258  | 26.9 | 2,121  | 38.7 | 1,989  | 50.5 | 1,855   | 62.4  | 1,715   | 74.2  | 1,563   | 86.0  |         |       |         |       |
|       | 1,800 | 2,810  | 34.0 | 2,673  | 48.2 | 2,541  | 62.4 | 2,407   | 76.5  | 2,267   | 90.7  | 2,115   | 104.9 | 2,032   | 112.0 |         |       |
|       | 2,600 | 4,282  | 57.9 | 4,145  | 78.4 | 4,013  | 98.9 | 3,879   | 119.4 | 3,739   | 139.8 | 3,587   | 160.3 | 3,504   | 170.6 | 3,415   | 180.8 |

Performance based on inlet air at standard temperature of 68° F, an ambient pressure of 14.7 psia and 36% relative humidity. For performance at non-standard conditions, contact your authorized Gardner Denver representative.

## Genuine Gardner Denver Parts and Lubricants

- Maintain the Gardner Denver performance advantage and reliability with Genuine GD Replacement Parts
- Protect your Gardner Denver investment with AEON® PD, the only lubricant specially formulated for all blowers in any environment

– Now available:

- » AEON® PD-XD (eXtreme Duty)
- » Designed specifically for high ambient and high discharge temperature applications

– Also available:

- » AEON® PD (standard applications)
- » AEON® PD-FG (Food Grade)



## Quality Promise

- Gardner Denver industrial blowers are manufactured under rigid ISO 9001 quality standards
- All models are thoroughly tested to meet the highest performance standards for unequaled service life under the most severe operating conditions

## Gardner Denver Redefines the Perception of Remanufactured

**Reman (rē man´) n.** A Gardner Denver positive displacement blower expertly assembled from genuine remanufactured and new parts

- Must pass a slip test and a full-load, hot run test before shipment
- Standard new product warranty included
- The final word when repair or replacement is required



# Gardner Denver®

[www.GardnerDenverProducts.com](http://www.GardnerDenverProducts.com)

Gardner Denver, Inc. 1800 Gardner Expressway, Quincy, IL 62305

[www.contactgd.com/blowers](http://www.contactgd.com/blowers)

866-428-4890

©2015 Gardner Denver, Inc. Printed in U.S.A. PD-DF-FAM 3rd Ed. 9/15



Please recycle after use.