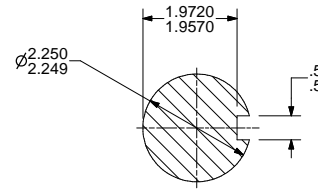
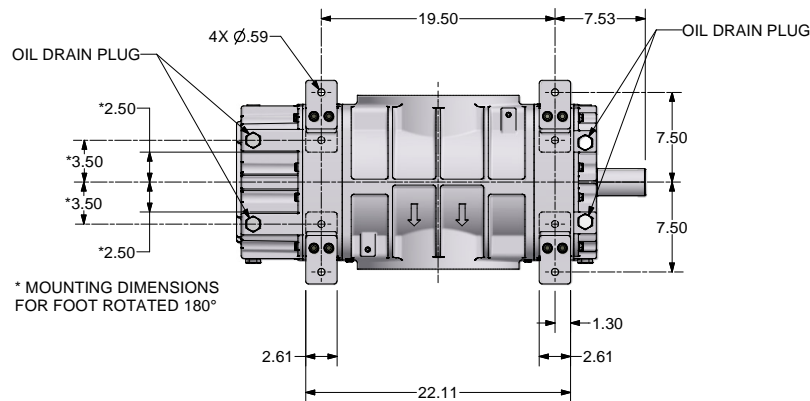
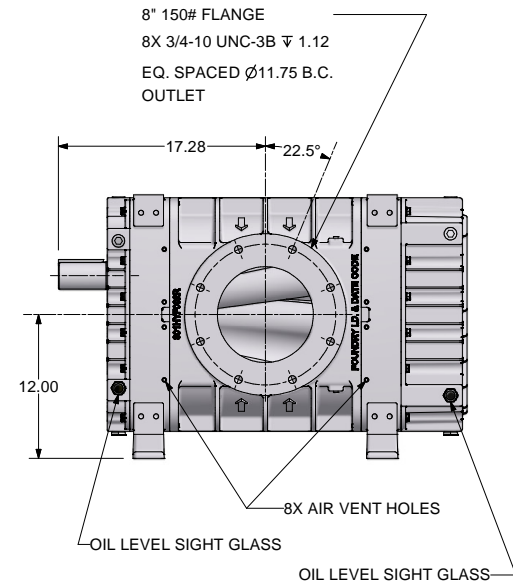
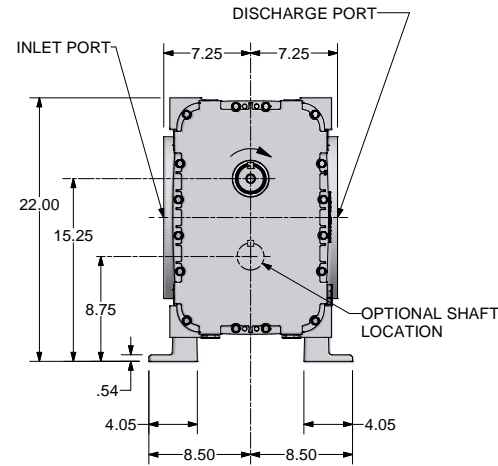
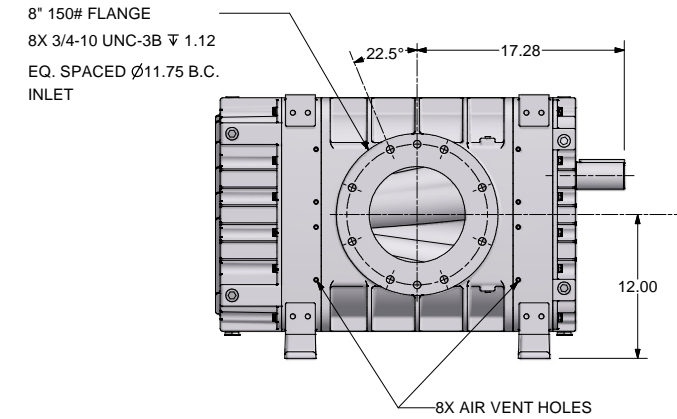
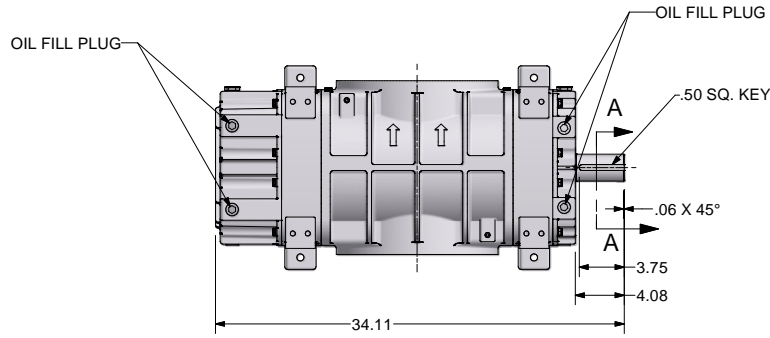


ZONE		REVISION HISTORY			DATE	DWN	CHK
A		RELEASED PER ECN 1037999					

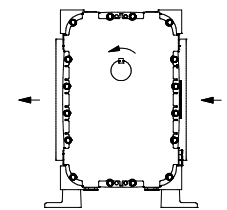
GDHF-DIM-616V  
DATE-10/01/07



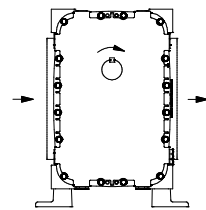
SECTION A-A  
SCALE 1 : 1



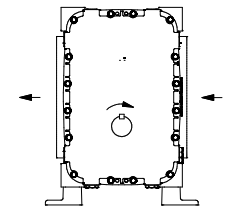
\* MOUNTING DIMENSIONS FOR FOOT ROTATED 180°



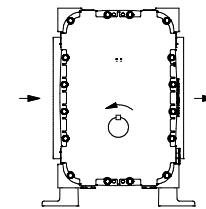
THLD CCW ROTATION  
TOP HAND LEFT DISCHARGE



THRD CW ROTATION (SHOWN)  
TOP HAND RIGHT DISCHARGE



BHLD CW ROTATION  
BOTTOM HAND LEFT DISCHARGE



BHRD CCW ROTATION  
BOTTOM HAND RIGHT DISCHARGE

UNLESS OTHERWISE SPECIFIED DIMENSIONS ARE IN INCHES		TOL. ON DECIMALS: X - ± .05		TOL. ON DECIMALS: XX - ± .02		TOL. ON DECIMALS: XXX - ± .01 AS SPECIFIED		TOL. ON ANGLES: ± 0° 30'	
FINISH OF CHAMBERS AND FILLETS TO CONFORM TO ROUGHENED ADJACENT AREA SURFACE ROUGHNESS MAXIMUM PER ASME B46.1. FULL THREAD DEPTHS ARE MINIMUM.		DIMENSIONING AND TOLERANCING PER ASME Y14.5M-1994		THREADS PER ASME B1.1 GAGING SYSTEM (1) 1.0 D. 11. ANSI B1.203 & B1.203.3		HEAT TREATMENT		ENG. REF:	
Gardner Denver Inc. Quincy, IL		TITLE		OUTLINE-BARE UNIT		HELI FLOW 616 VERTICAL		306HYF800	
DWN BY: RRB 10/8/2007		E		WSC		1		1	
C/D BY: RNS 10/8/2007		104		1		1		1	

CONFIDENTIAL - THE INFORMATION CONTAINED IN THIS DOCUMENT IS THE PROPERTY OF GARDNER DENVER, INC. IT IS NOT FOR PUBLIC DISCLOSURE. POSSESSION OF THE INFORMATION DOES NOT CONVEY ANY RIGHT TO CLAIM, SUE, OR DISCLOSE THE INFORMATION. UNAUTHORIZED REPRODUCTION OR USE OF THE INFORMATION IS PROHIBITED. THIS DOCUMENT IS TO BE RETURNED TO GARDNER DENVER, INC. UPON THE COMPLETION OF THE PURPOSE FOR WHICH IT IS LOANED OR UPON REQUEST.