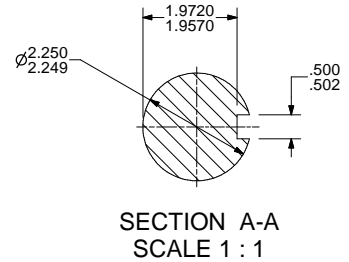
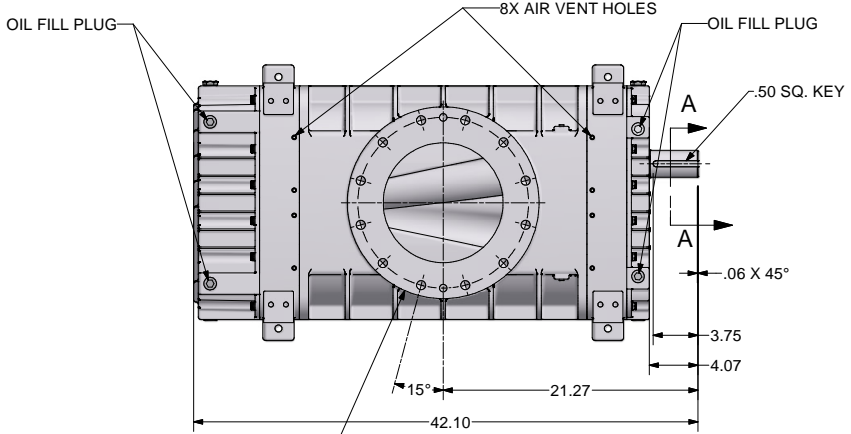
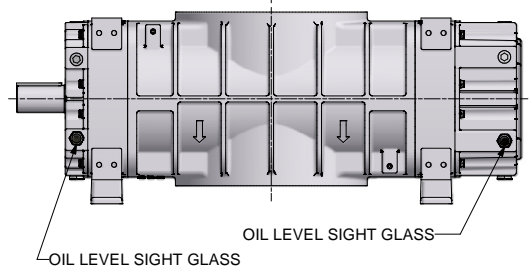
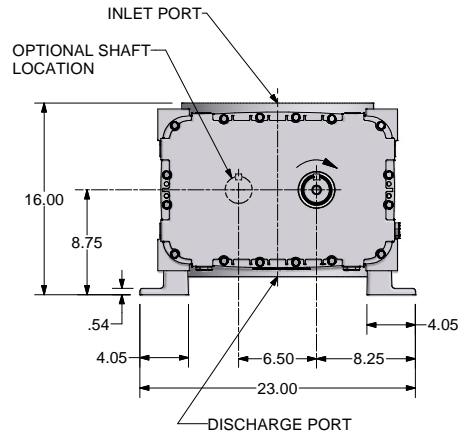
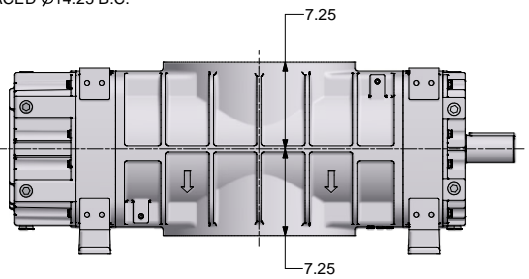


REVISION HISTORY		DATE	DWN	CHK
ZONE	REV	DESCRIPTION		
	A	RELEASED PER ECN 1037999		

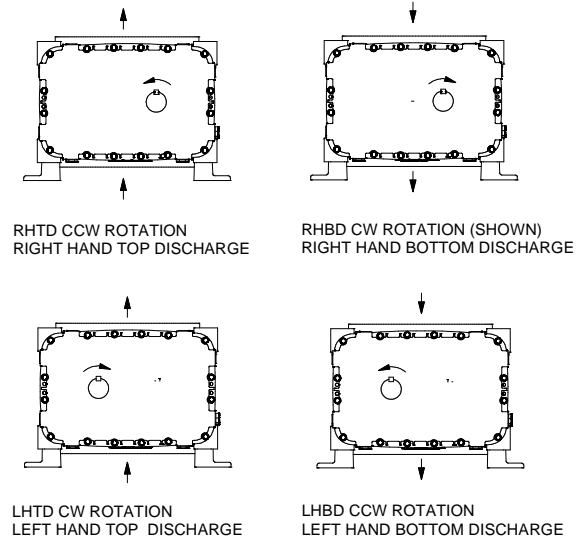
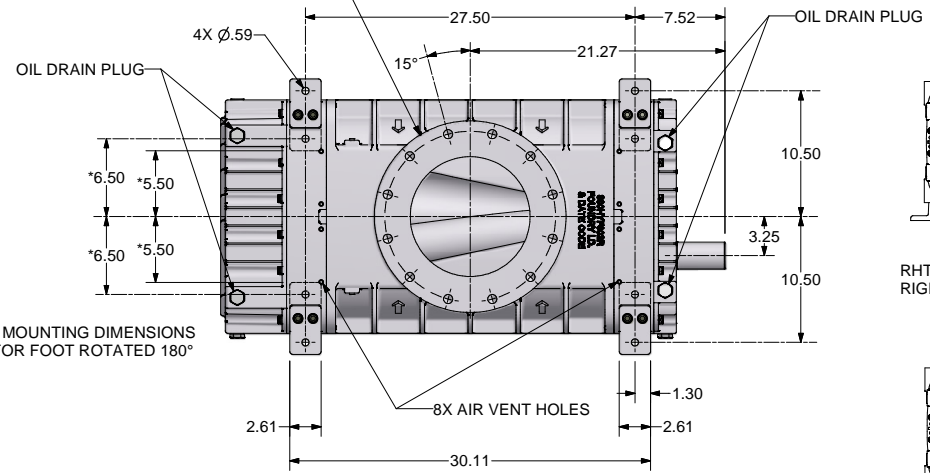
GDHF-DIM-624H
DATE-10/01/07



10" 150# FLANGE
12X 7/8-9 UNC-3B ∇ 1.26
EQ. SPACED ϕ 14.25 B.C.
INLET



10" 150# FLANGE
12X 7/8-9 UNC-3B ∇ 1.26
EQ. SPACED ϕ 14.25 B.C.
OUTLET



* MOUNTING DIMENSIONS FOR FOOT ROTATED 180°

UNLESS OTHERWISE SPECIFIED DIMENSIONS ARE IN INCHES
TOL. ON DECIMALS: X - ± .05
TOL. ON DECIMALS: XX - ± .02
TOL. ON DECIMALS: XXX - ± .01 AS SPECIFIED
TOL. ON ANGLES: ± 0°30'

FINISH OF CHAMFERS AND FILLETS TO CONFORM TO ROUGHEST ADJACENT AREA
SURFACE ROUGHNESS MAXIMUM PER ASME B46.1
FULL THREAD DEPTHS ARE MINIMUM.

CONFIDENTIAL - THE INFORMATION CONTAINED IN THIS DOCUMENT IS THE PROPERTY OF GARDNER DENVER, INC. IT IS NOT FOR PUBLIC DISCLOSURE. POSSESSION OF THE INFORMATION DOES NOT CONVEY ANY RIGHT TO CLAIM OR DISCLOSE THE INFORMATION. UNAUTHORIZED REPRODUCTION OR USE OF THE INFORMATION IS PROHIBITED. THIS DOCUMENT IS TO BE RETURNED TO GARDNER DENVER, INC. UPON THE COMPLETION OF THE PURPOSE FOR WHICH IT IS LOANED OR UPON REQUEST.

HEAT TREATMENT
ENG. REF:

Gardner Denver Inc.
Quincy, IL

TITLE
OUTLINE-BARE UNIT

HELIFLOW 624H HORIZONTAL

305HYF800

THIRD ANGLE PROJECTION

DWN BY: RRB 10/8/2007
E WSC
CWD BY: RNS 10/8/2007

104
1 of 1