

**Gardner**  
**Denver**

POSITIVE DISPLACEMENT BLOWER PACKAGES

**IQ Family**



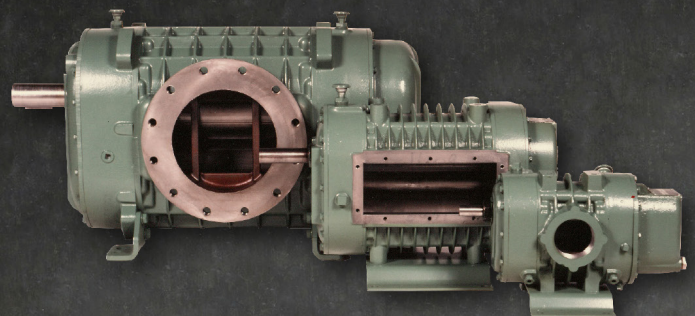
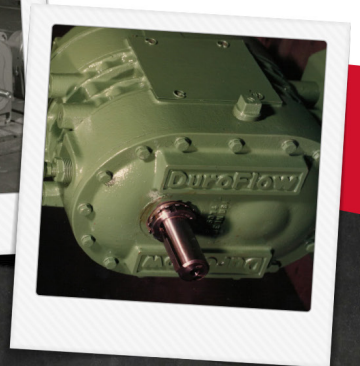
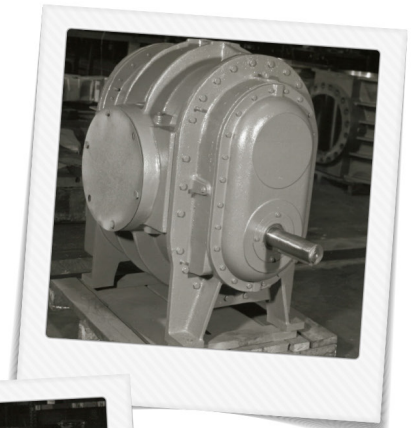
It's all about...

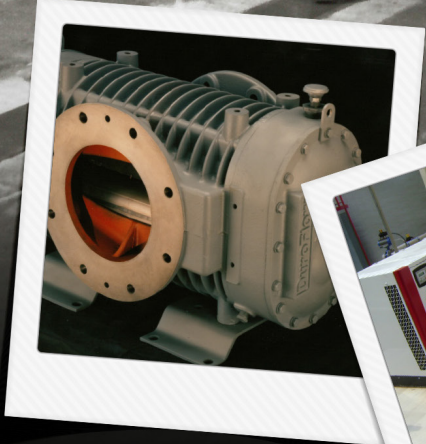
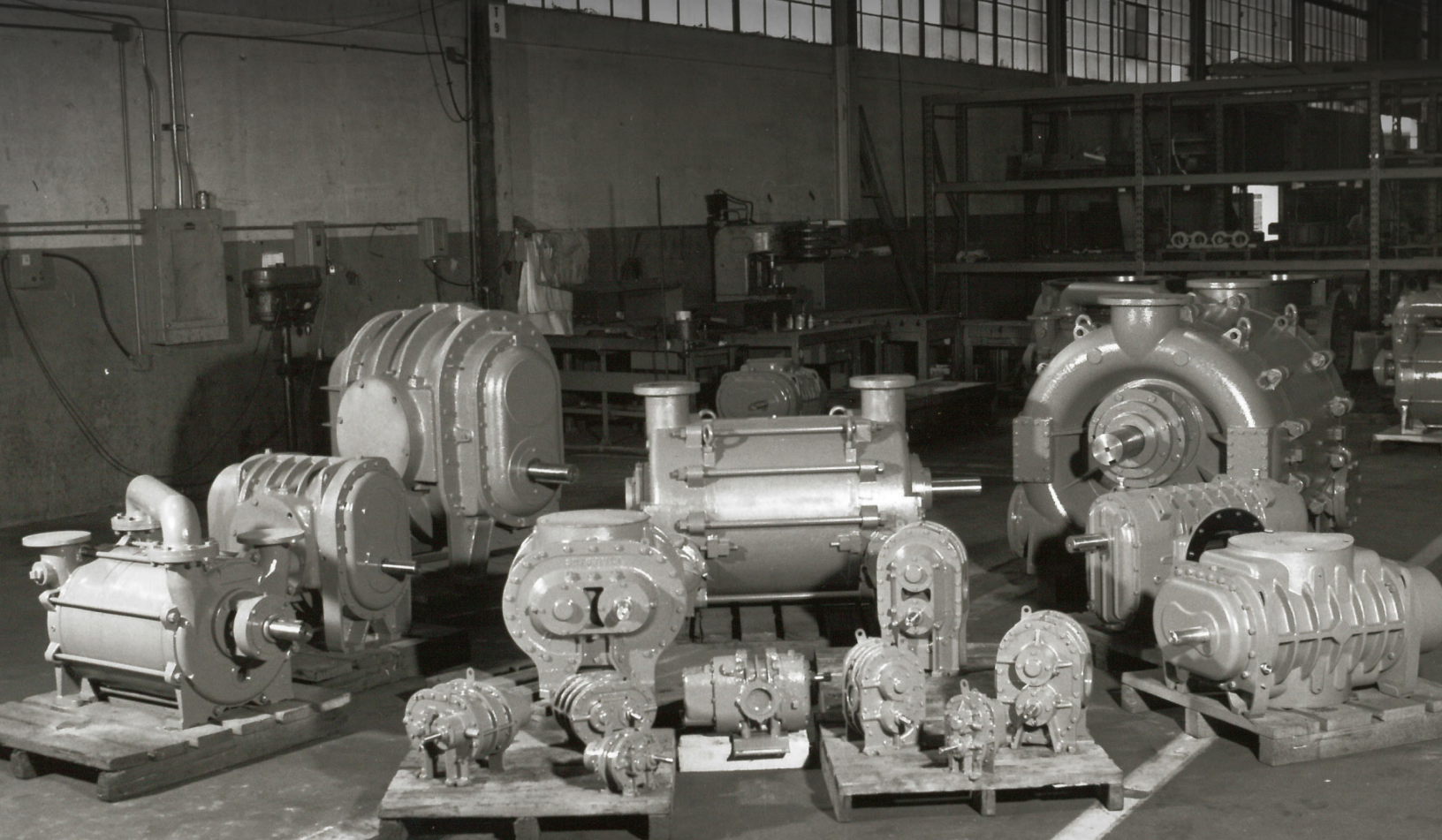
# the Experience

A trusted & reliable brand, ensuring  
that you have the right blower  
package for the job

A REPUTATION EARNED BY A PROVEN HISTORY OF

*Quality, Reliability & Performance*





It's all about...

# the Complete Package

Gardner Denver has more blower package options than anyone else

We can help you customize your system to meet your needs. More technology designs provides tailored options for you.

- Smart Design
- Easy Maintenance
- Compact Installation
- Quiet Operation
- Enclosed or Unenclosed Available
- Inverter Duty Motors for VFD Capabilities

## IQ-RB

### SIMPLE

Straight Tri-Lobe

Pressure to 15 PSI

Vacuum to 15 inHg

6,000 Max CFM

3-500 HP

Fixed or Variable Speed

Mechanical Gauges



## IQ

### SMART

Twisted Tri-Lobe  
Pressure to 15 PSI  
Vacuum to 17 inHg  
1,500 max CFM  
7.5-100 HP  
Fixed Speed or VFD  
AirSmart Controller



## IQ-HE

### EFFICIENT

3x5 Helical Screw  
Pressure to 36 PSI  
5,625 Max CFM  
7.5-500 HP  
Fixed or Variable Speed  
AirSmart G2 Controller



Patented  
Rotor Profile  
High Efficiency  
up to 36 PSI



It's all about...

# the IQ-RB Blower Package



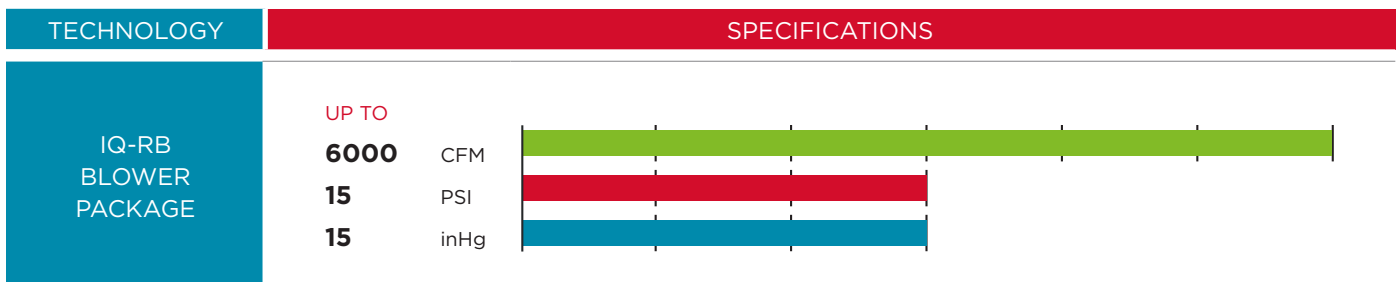
## Features

- RBS blower (tri-lobe design)
- Fixed and variable speed
- Inverter duty motors for VFD capabilities
- Low cost
- Mechanical gauges

## Compact Design

- Significantly reduced dimensions
- Optimizes floor space

## RELIABLE PERFORMANCE



# RBS Design Advantages

## Dual Splash Lubrication

Reliable dual splash lubrication on both the drive and gear ends for longer product life

## Helical Gears

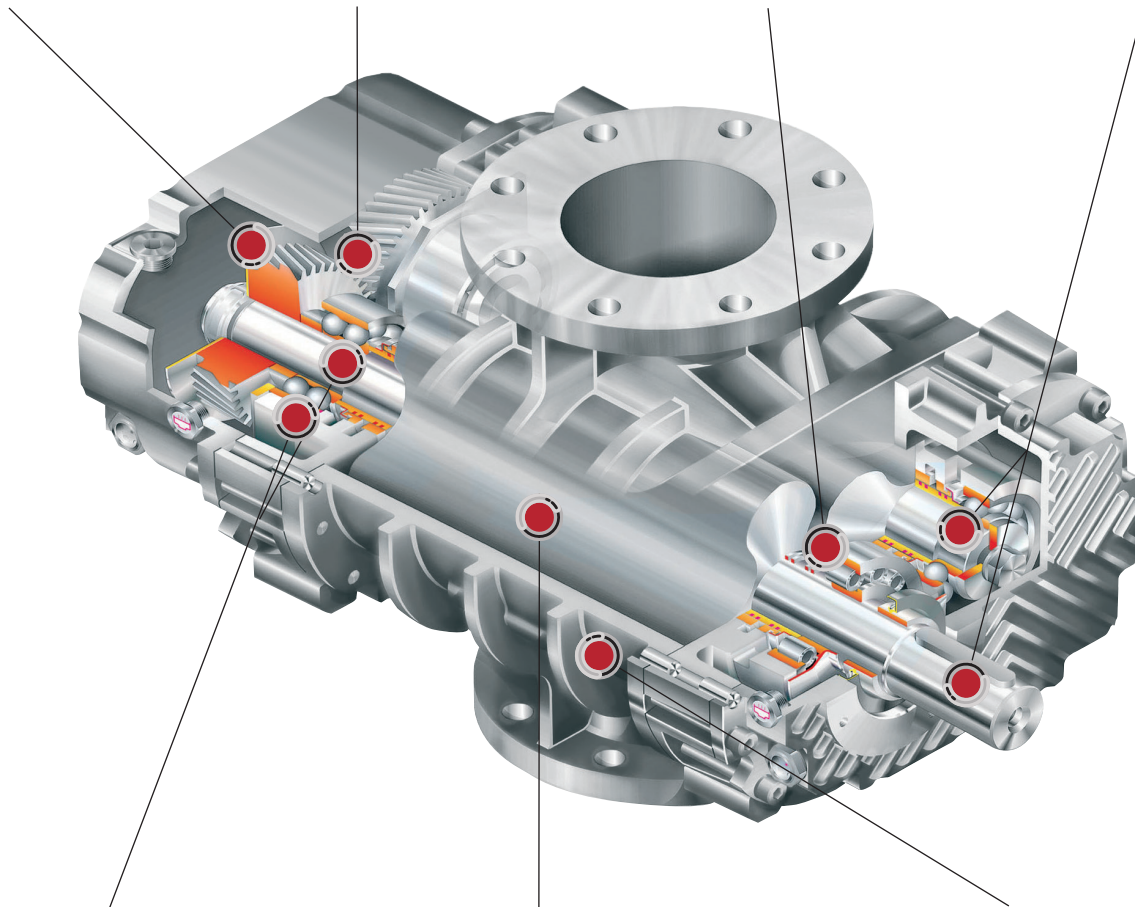
Helical timing gears for smooth and quiet operation at all speeds

## Leak-Free Operation

Piston rings and flinger maximize seal life in continuous severe duty applications

## Durable Shafts

High strength shafts that allow higher operating pressures and rotation speeds



## Long Life Bearings

Reinforced roller bearings are calculated for a lifespan of 100,000 hours under the most severe operating conditions

## Three-Lobe Rotors

Involute three-lobe rotors offer the highest performances and efficiencies

## Single Piece Cylinder

High strength impeller case is heavily ribbed and machined from a single piece of cast iron to retain internal clearances and improve heat dissipation

It's all about...

# the IQ-RB Simplicity

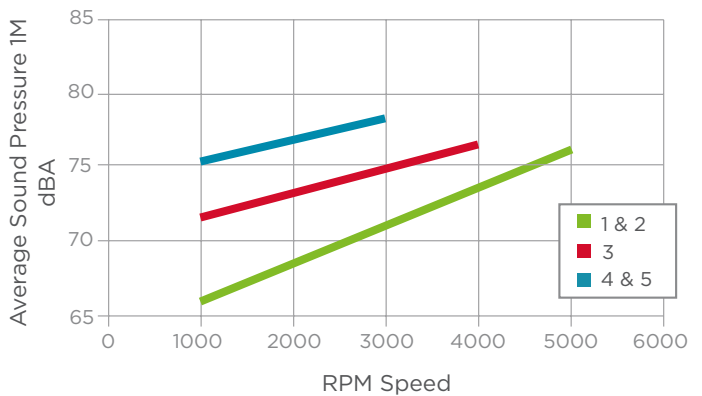
## Design Features

- Patented design reduces noise
- Compact design = decreased system costs
- Can be installed side-by-side
- Easy access via removable front and upper panels

## Quiet Operation

- Unique noise enclosure design with double sound insulation panels
- Tri-Lobe technology reduces flow pulsation
- Discharge silencer
- Patented tunable inlet filter/silencer reduces noise (pictured below)

## IQ-RB Sound Level



TUNABLE  
INLET  
FILTER/  
SILENCER





# We Keep It Simple to Save You Money

## Ease of Inspection

- Access: All maintenance operations are performed from the front with the removal of the front panels
- Oil Change: Can be performed with easily accessible fill and drain hoses
- Oil Level Check: Oil levels can be checked via gauges with or without the blower running

## Mechanical Gauges

- Inlet filter restriction gauge
- Discharge pressure gauge
- Discharge temperature gauge

## Simplified Maintenance

- Minimizes downtime
- Reduces maintenance costs
- Removable panels permit easy access
- Easily viewable oil levels & streamlined oil changes
- Automatic belt tensioning
- Simple belt replacement

FRAME	1	2	3	4	5
HP	3-15	15-60	25-125	60-300	125-500
CFM	150	650	1400	3400	6000


\*The range is dependent on vacuum or pressure applications.

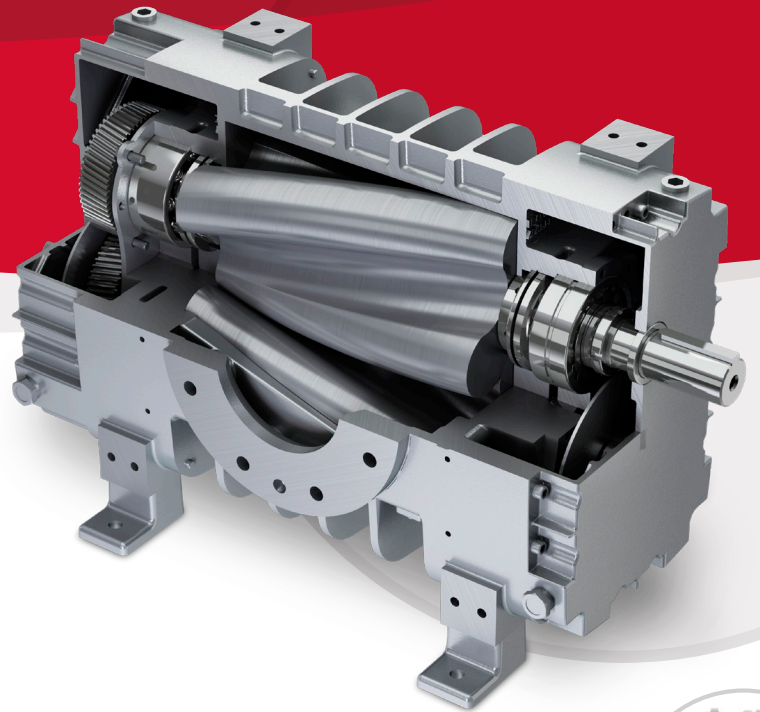


It's all about...

# the IQ Package



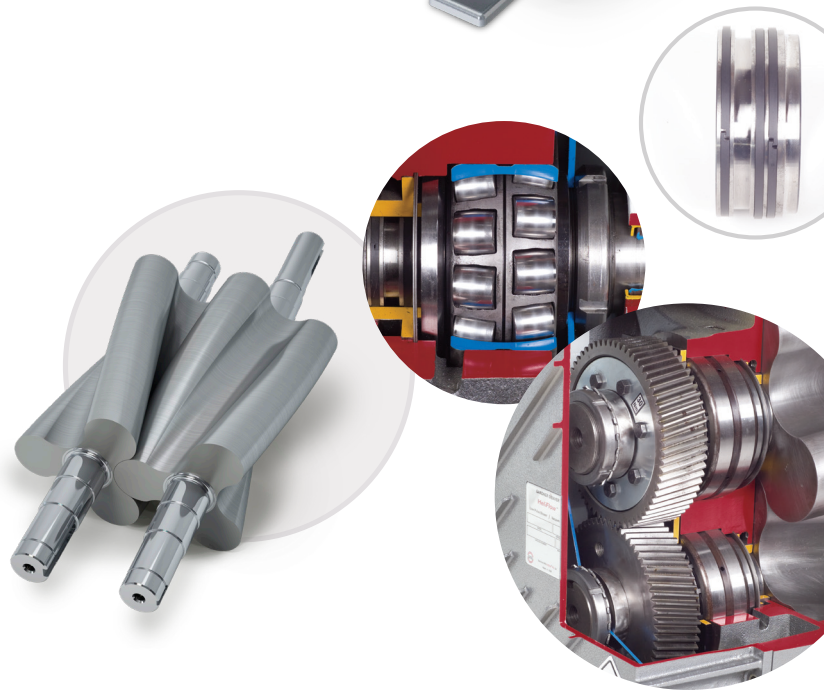
TECHNOLOGY	SPECIFICATIONS	
IQ BLOWER PACKAGE	UP TO <b>1,500</b> CFM <b>15</b> PSI <b>17</b> InHg	



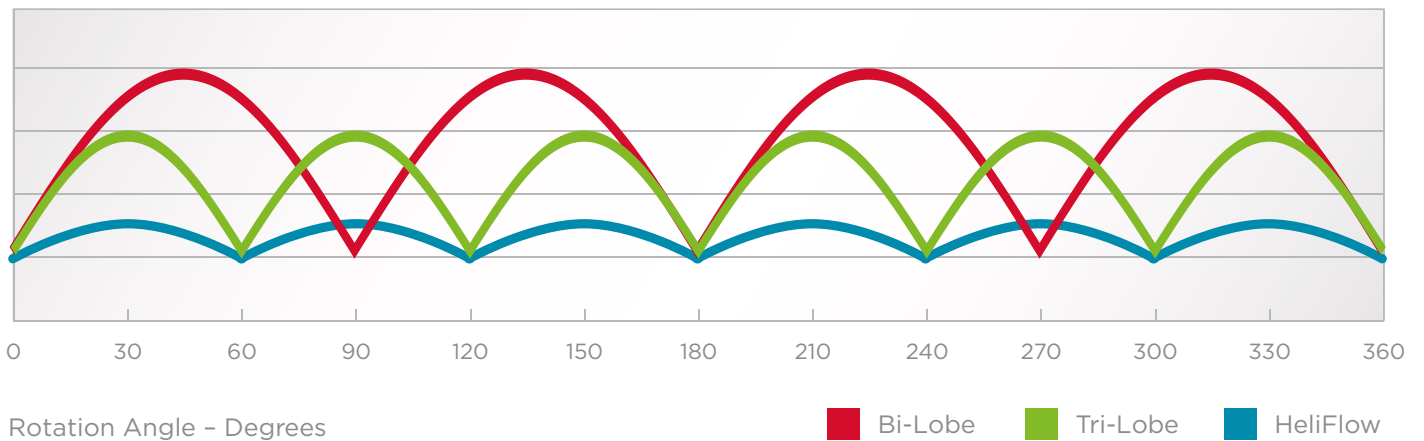
## Featuring the HeliFlow Blower Technology

Strong design, reliable performance, and quieter operation achieved through:

- Reduced pulse
  - Discharge pulsation is the chief contributor to high noise levels in blowers
  - The unique helical rotor profile significantly reduces pulsations
  - This reduces noise levels by 4-6 dBA over similar sized, straight-lobe blowers
- Helical gear design reduces noise
- Solid rotors reduce vibration caused by ingested material in rotor cavities
- The HeliFlow has a higher shaft load capacity than all other comparable lobe blowers



**REDUCED PULSE = LOWER NOISE = QUIETER OPERATION**



It's all about...

# the Peace of Mind



## AirSmart Controller

Keeping you in control of your blower package

The AirSmart controller allows up to eight blower packages to be sequenced

- Sequencing only available for units with a VFD, fixed speed machines cannot sequence without a SCADA system in place
- Can be process or timer operated
- Allows distribution of operating hours
- Reduces downtime for maintenance

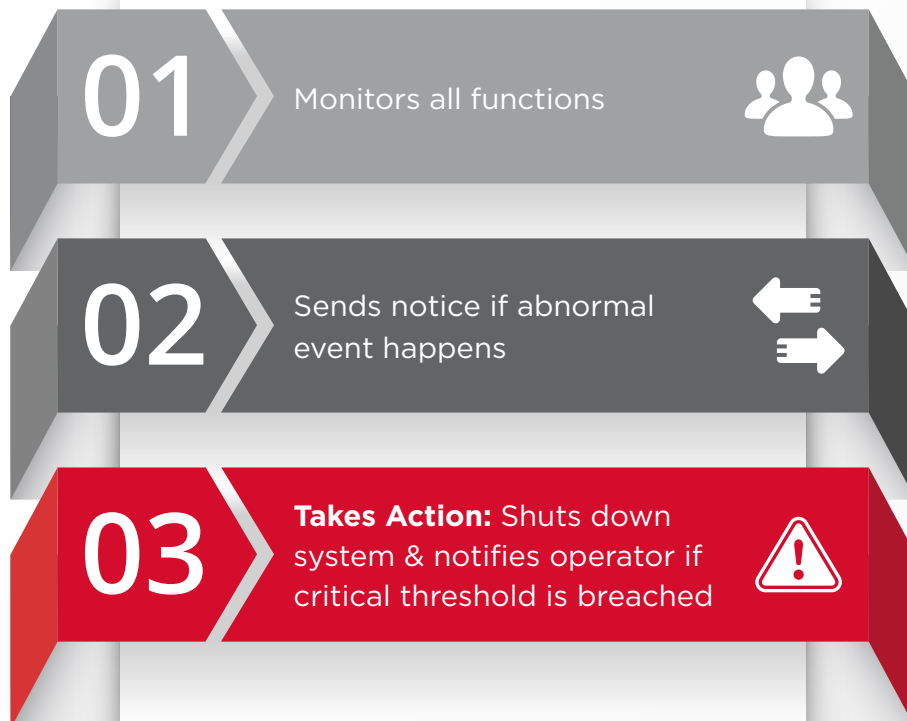


## IQ Advantages

- The IQ package offers quiet operation, strength, reliability, and performance for all applications
- The variable frequency drive and twisted tri-lobe rotor profile offer better efficiency than a straight lobe blower
- Simple transit is attained with slots found on the package base frame




## 3 STAGES OF PROTECTION



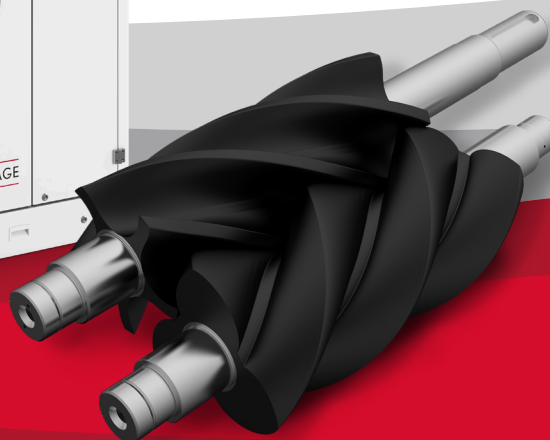
The AirSmart controller uses customizable timer to track maintenance schedules and notify the operator when routine service is required.

It's all about...

# the IQ-HE Package

TECHNOLOGY	SPECIFICATIONS	
IQ-HE BLOWER PACKAGE	UP TO <b>5,625</b> CFM <b>36</b> PSI	

- High efficiency screw technology
- Low energy consumption saves money
- Delivers up to 36 psi
- High pressure conveying
- AirSmart G2 controller for 24/7 protection
- Silent operation
- Compact design
- Flexible options



## Enclosed & Unenclosed Models

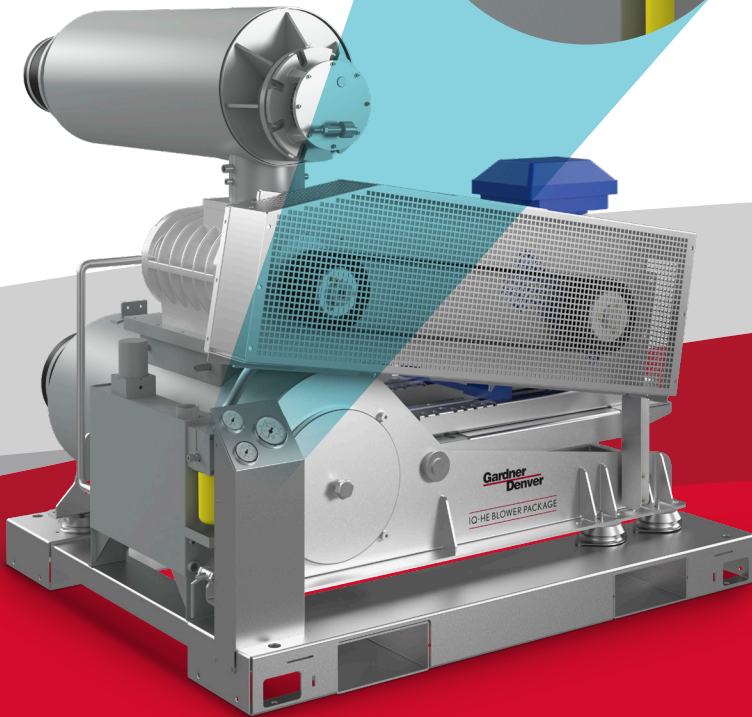
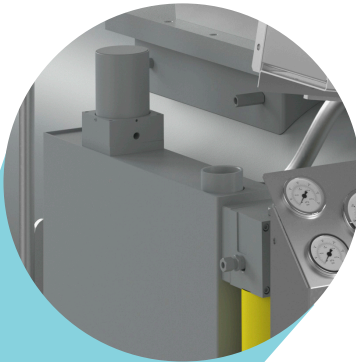
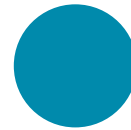
- Mechanical Gauges (Unenclosed Models)
- G2 Smart Controller (Enclosed Models)

## High & Low Pressure Packages Available

- 15 psi or Below = Low Pressure
- Above 15 psi = High Pressure

## High & Low Pressure Package Force Feed Lube Design Includes

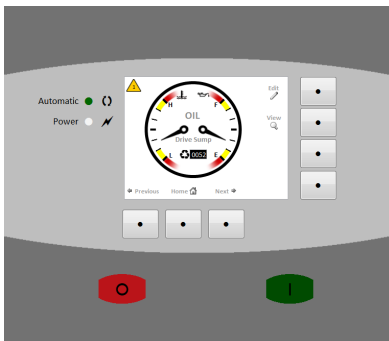
- Oil Pump
- Oil Reservoir
- Oil Filter
- Heat Exchanger
- Oil Demister



The Right Package  
for your Application

It's all about...

# the Premium Package



AirSmart G2 Controller Screens

## Maximum Capacity with minimum energy consumption

### Monitored Operation & Protection

- AirSmart G2 controller
- Constant monitoring
- Highest levels of protection
  - Overpressure/high temperature shutdown
  - Service advisories
- Status indicator
- Maintenance schedule tracking

### Maximum Efficiency

- Patented rotor profile with PTFE rotor coating promising consistent performance
- Reduced number of revolutions and energy consumption in all working conditions
- Reduced energy bills
- Quick return on investment





SAVE  
UP TO **30%**  
ON ENERGY  
CONSUMPTION

### Flexibility for Your Application

- Offers a turndown capability in flow to meet needs of customer with inverter duty motor
- Suitable for intermittent use with frequent stops and restarts
- Belt drive ensures the right capacity for the application
- High and low pressure options to match customer application
- Available enclosed or unenclosed

### Compact Design

- Extremely compact dimensions
- Side-by-side installation
- Optimizes floor space
- All routine maintenance can be easily performed by only removing the front panel

### Silent Operation

- Rotor profile
  - Less noise during compression phase
  - Low rotor rotation speed
  - Absence of a step-up gear
  - Sound emissions kept to minimum
- Noise enclosure
  - Designed with optimized air passages and sound pressure reduction capacity
  - Separate from blower = no vibration transmitted to walls
  - Sound-absorbing material consisting of open cell polyurethane foam
- Inlet & discharge silencer
  - Drastically reduce residual pulsations
  - Sound absorption material reduces sound energy

It's all about...

# the Simplified Maintenance

## Installation

- Can be transported via forklift/pallet truck
- Simple electrical system connection
- Simple piping connections



## Maintenance

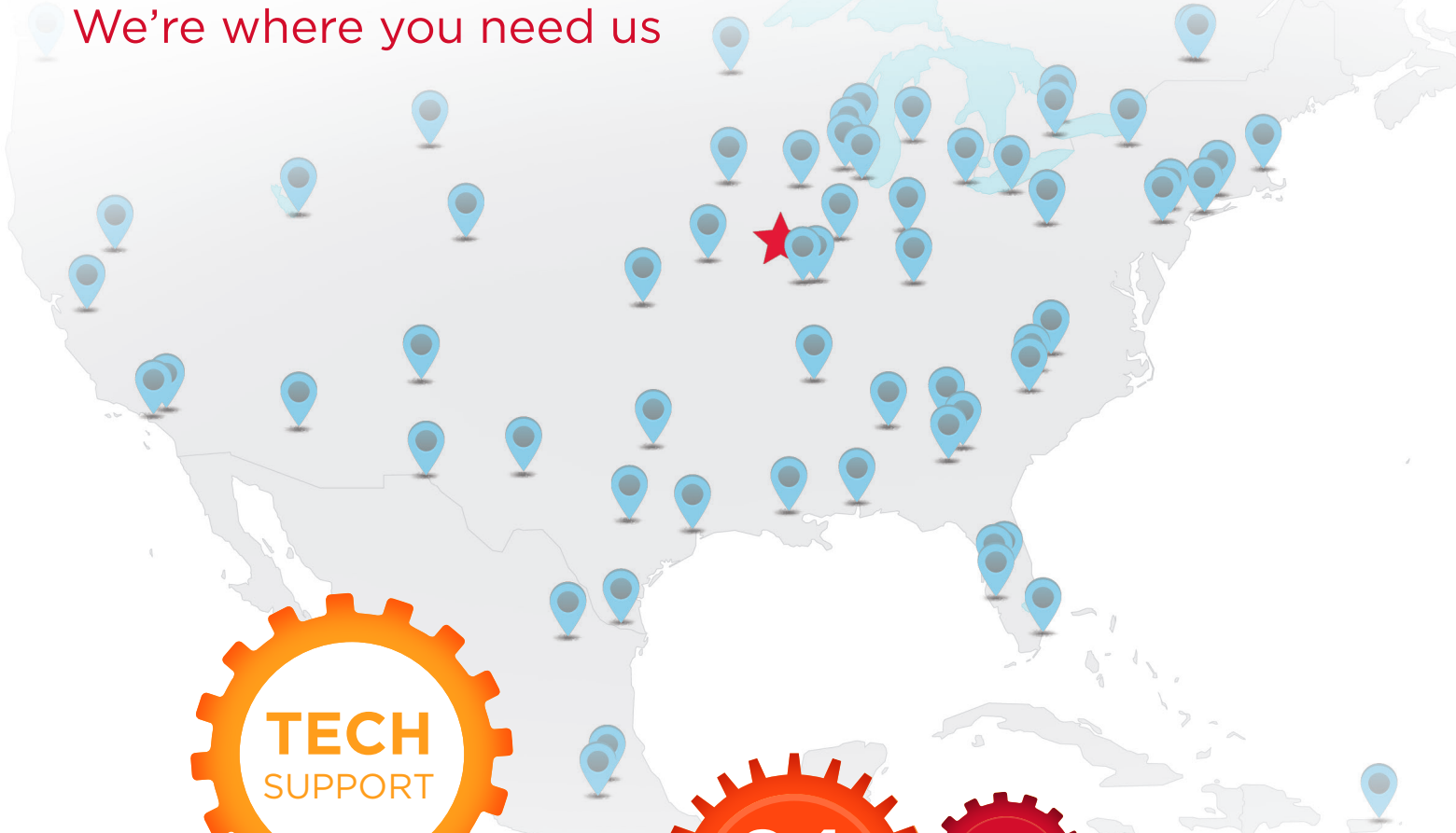
- All routine tasks can be carried out from the front of the package for easy:
  - Oil change
  - Oil filter replacement
  - Oil pressure adjustments
  - Air filter replacement
  - Belt drive replacement
- Sight glass allows for immediate oil level check even during operation
- Filter clogging and discharge pressure gauges
- Reduces maintenance costs



It's all about...

# the Network

We're where you need us



The leader in every market we serve  
by continuously improving all business processes  
with a focus on innovation and velocity

**Gardner**  

---

**Denver**<sup>®</sup>

**Gardner Denver, Inc.**

1800 Gardner Expressway  
Quincy, IL 62305  
[www.gardnerdenver.com](http://www.gardnerdenver.com)



©2022 Gardner Denver, Inc. Printed in U.S.A.  
PD-IQ-GEN 5th Ed. 5/22

