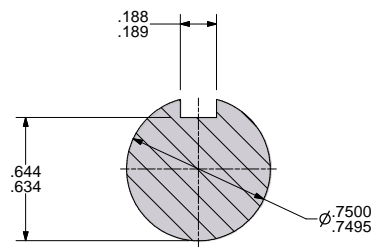
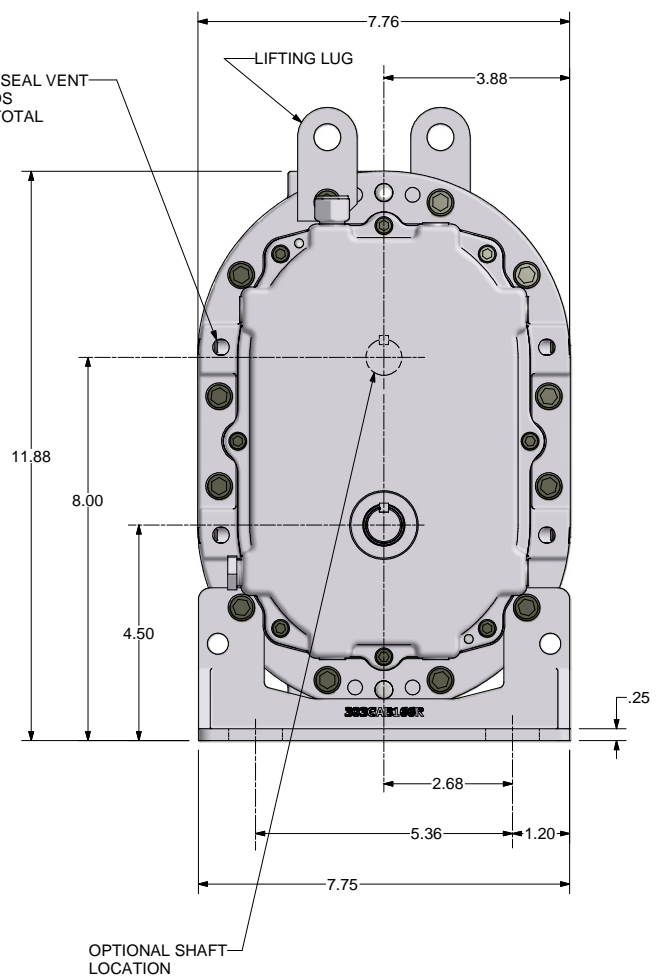
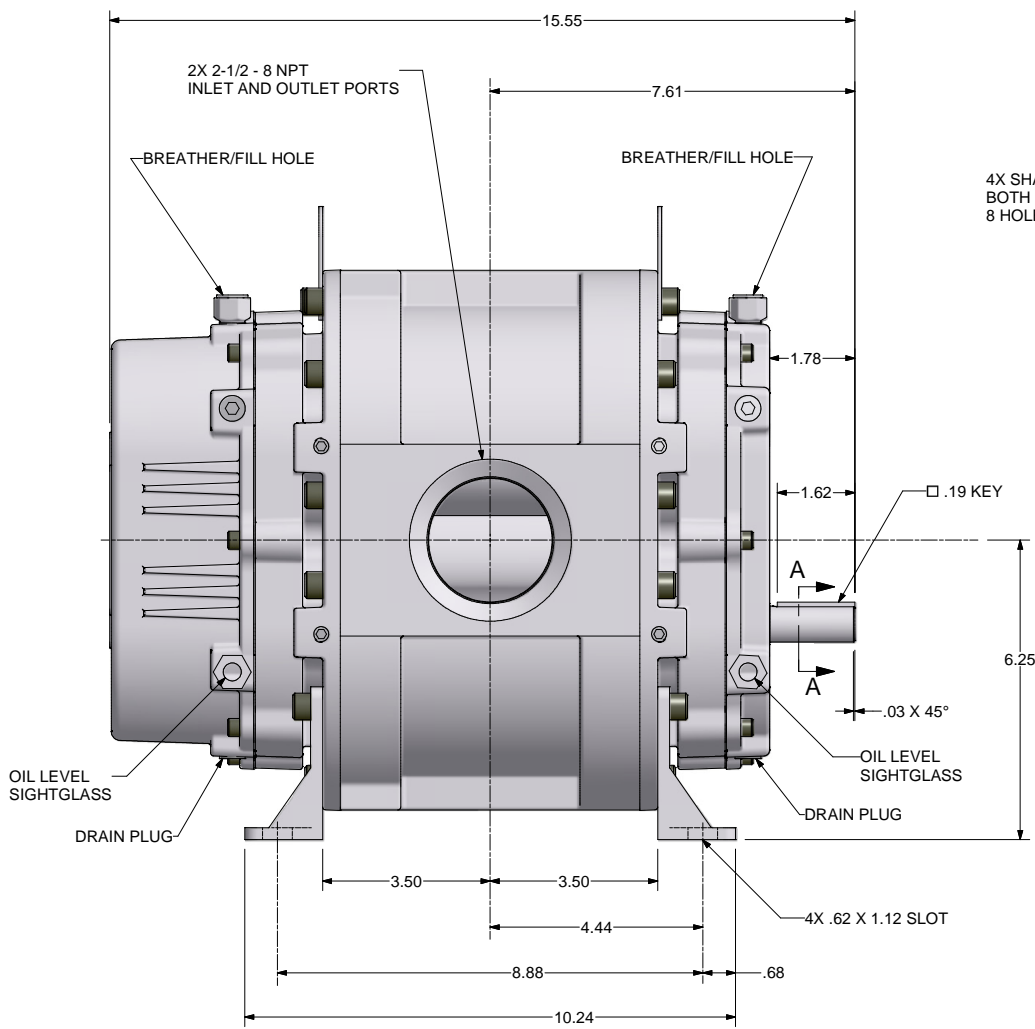


| REVISION HISTORY |     | DATE                     | DWN | CHK |
|------------------|-----|--------------------------|-----|-----|
| ZONE             | REV | DESCRIPTION              |     |     |
|                  | A   | RELEASED PER ECN 1045640 |     |     |



SECTION A-A  
SCALE 4 : 1

ALL ROTATIONS AND PORT LOCATIONS WHEN FACING SHAFT END

| CONSTRUCTION    | ROTATION               | DISCHARGE PORT |
|-----------------|------------------------|----------------|
| VERTICAL BOTTOM | CLOCK WISE (CW)        | LEFT SIDE      |
|                 | COUNTERCLOCKWISE (CCW) | RIGHT SIDE     |
| VERTICAL TOP    | CLOCKWISE (CW)         | RIGHT SIDE     |
|                 | COUNTERCLOCKWISE (CCW) | LEFT SIDE      |

FINISH OF CHAMBERS AND FILLETS TO CONFORM TO DIMENSIONS AND TOLERANCING PER ASME Y14.2M-1994 UNLESS OTHERWISE SPECIFIED DIMENSIONS ARE IN INCHES

TOL. ON DECIMALS: X = ± .05  
TOL. ON DECIMALS: XX = ± .02  
TOL. ON DECIMALS: XXX = ± .01 AS SPECIFIED  
TOL. ON ANGLES: ± 0°-30'

CONFIDENTIAL - THE INFORMATION CONTAINED IN THIS DOCUMENT IS THE PROPERTY OF GARDNER DENVER, INC. IT IS NOT FOR PUBLIC DISCLOSURE. POSSESSION OF THE INFORMATION DOES NOT CONVEY ANY RIGHT TO LOAN, REPRODUCE, OR DISCLOSE THE INFORMATION. UNAUTHORIZED REPRODUCTION OR USE OF THE INFORMATION IS PROHIBITED. THIS DOCUMENT IS TO BE RETURNED TO GARDNER DENVER, INC. UPON THE COMPLETION OF THE PURPOSE FOR WHICH IT IS LOANED OR UPON REQUEST.

THIRD ANGLE PROJECTION

Gardner Denver Inc. Quincy, IL  
DWN BY: RSB 4/17/2009  
C/D BY: RNS 4/17/2009

HEAT TREATMENT  
SLVR LEGEND DSL  
319GAB800  
1 of 1