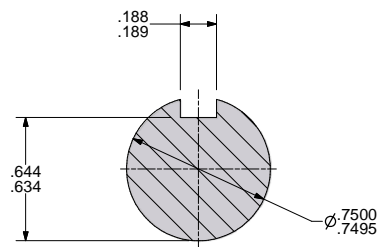
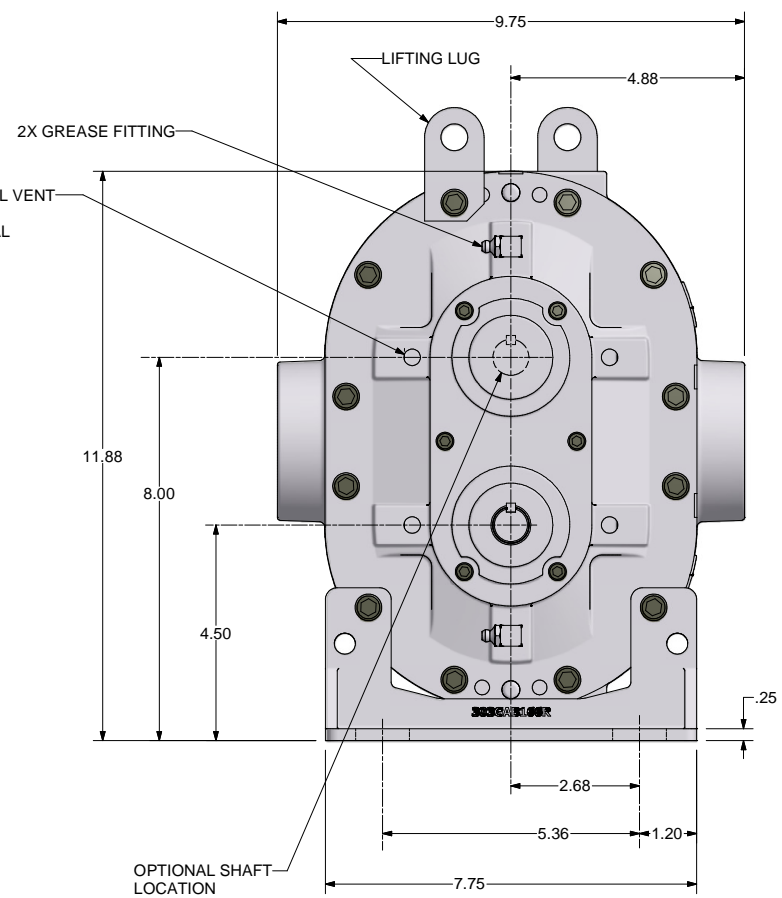
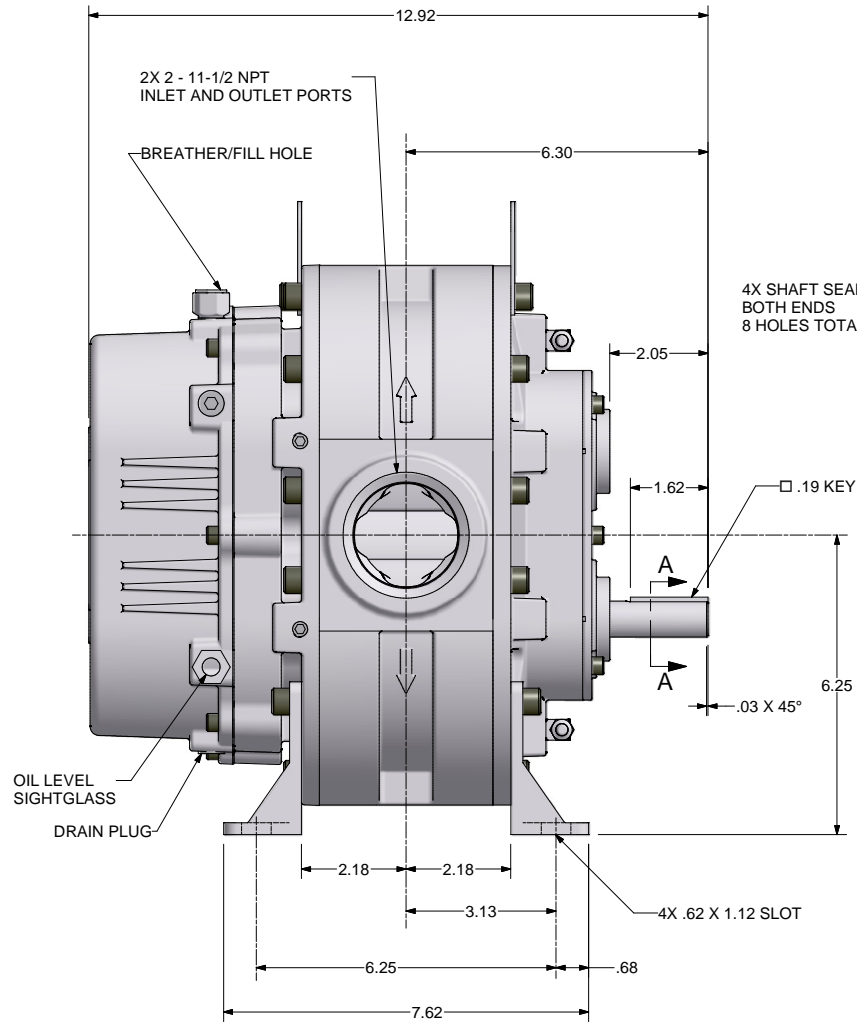


REVISION HISTORY		DATE	DWN	CHK
ZONE	REV	DESCRIPTION		
	A	RELEASED PER ECN 1045640		



SECTION A-A  
SCALE 4 : 1

THE "Q" SERIES IS DISCHARGE TIMED. THE ARROWS ON THE CYLINDER INDICATE DIRECTION OF FLOW AND POINT TOWARDS THE DISCHARGE PORT. PORT AND SHAFT LOCATIONS AND ALL ROTATIONS ARE DETERMINED WHEN FACING SHAFT END.

VERTICAL BOTTOM, RIGHT DISCHARGE IS SHOWN.

CONSTRUCTION	ROTATION	DISCHARGE PORT
VERTICAL BOTTOM	CLOCK WISE (CW)	LEFT SIDE
	COUNTERCLOCKWISE (CCW)	RIGHT SIDE
VERTICAL TOP	CLOCKWISE (CW)	RIGHT SIDE
	COUNTERCLOCKWISE (CCW)	LEFT SIDE

FINISH OF CHAMBERS AND FILLETS TO CONFORM TO DIMENSIONS ARE IN INCHES

UNLESS OTHERWISE SPECIFIED  
TOL. ON DECIMALS: X = ± .05  
TOL. ON DECIMALS: XX = ± .02  
TOL. ON DECIMALS: XXX = ± .01 AS SPECIFIED  
TOL. ON ANGLES: ± 0°-30'

CONFIDENTIAL - THE INFORMATION CONTAINED IN THIS DOCUMENT IS THE PROPERTY OF GARDNER DENVER, INC. IT IS NOT FOR PUBLIC DISCLOSURE. POSSESSION OF THE INFORMATION DOES NOT CONVEY ANY RIGHT TO LOAN, REPRODUCE, OR DISCLOSE THE INFORMATION. UNAUTHORIZED REPRODUCTION OR USE OF THE INFORMATION IS PROHIBITED. THIS DOCUMENT IS TO BE RETURNED TO GARDNER DENVER, INC. UPON THE COMPLETION OF THE PURPOSE FOR WHICH IT IS LOANED OR UPON REQUEST.

THIRD ANGLE PROJECTION

**Gardner Denver**  
Quincy, IL

DWN BY: RRB 4/17/2009  
C/D BY: RNS 4/17/2009

HEAT TREATMENT  
3MVRQ LEGEND GRS-SPL

ENG. REF:  
OUTLINE-BARE UNIT

329GAB800

FULL 1 of 1