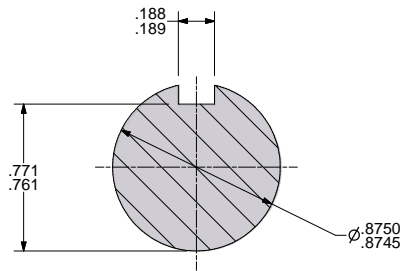
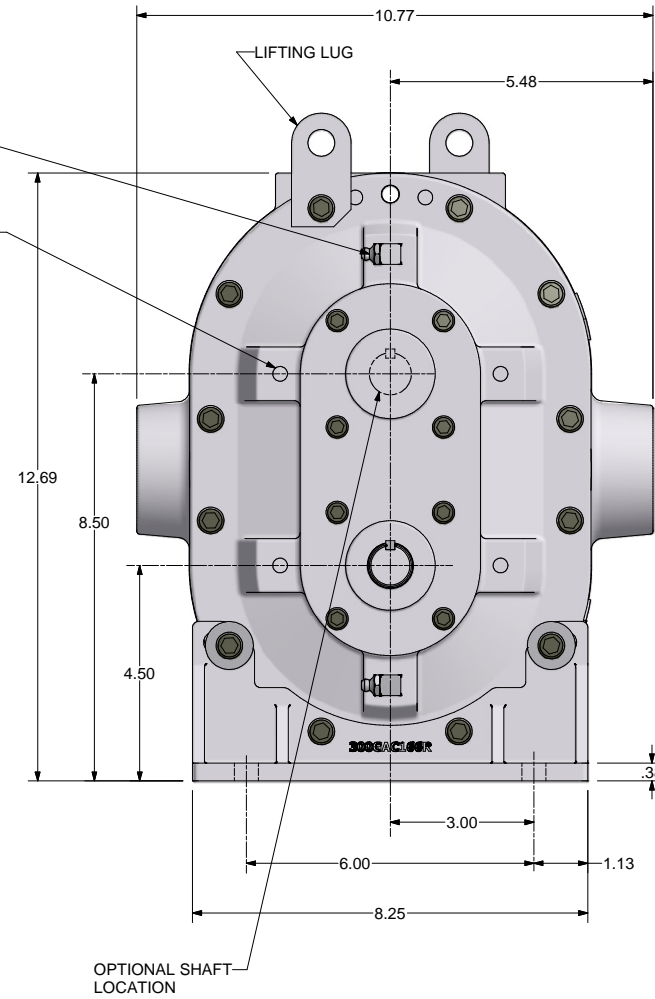
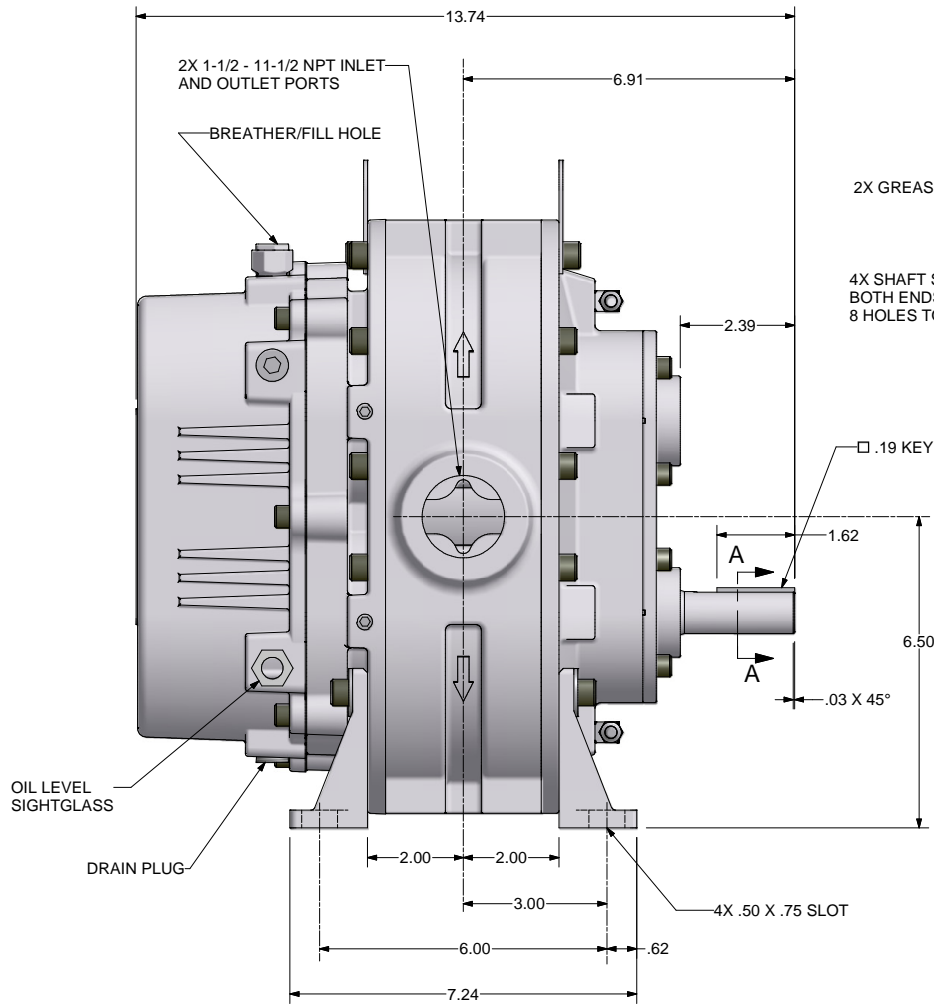


| REVISION HISTORY | | DATE | DWN | CHK |
|------------------|-----|--------------------------|-----|-----|
| ZONE | REV | DESCRIPTION | | |
| | A | RELEASED PER ECN 1048371 | | |



SECTION A-A
SCALE 4 : 1

THE "Q" SERIES IS DISCHARGE TIMED. THE ARROWS ON THE CYLINDER INDICATE DIRECTION OF FLOW AND POINT TOWARDS THE DISCHARGE PORT. PORT AND SHAFT LOCATIONS AND ALL ROTATIONS ARE DETERMINED WHEN FACING SHAFT END.

VERTICAL BOTTOM, RIGHT DISCHARGE IS SHOWN.

| CONSTRUCTION | ROTATION | DISCHARGE PORT |
|-----------------|------------------------|----------------|
| VERTICAL BOTTOM | CLOCK WISE (CW) | LEFT SIDE |
| | COUNTERCLOCKWISE (CCW) | RIGHT SIDE |
| VERTICAL TOP | CLOCKWISE (CW) | RIGHT SIDE |
| | COUNTERCLOCKWISE (CCW) | LEFT SIDE |

UNLESS OTHERWISE SPECIFIED DIMENSIONS ARE IN INCHES
TOL. ON DECIMALS: X = ± .05
TOL. ON DECIMALS: XX = ± .02
TOL. ON DECIMALS: XXX = ± .01 AS SPECIFIED
TOL. ON ANGLES: ± 0° 30'

FINISH OF CHAMBERS AND FILLETS TO CONFORM TO DIMENSIONS AND TOLERANCING PER ASME Y14.5-2009
THREADS PER ASME B1.1 GAUGING SYSTEM F1 D1.0.11; ANSI B1.203.1 & B1.203.3

CONFIDENTIAL - THE INFORMATION CONTAINED IN THIS DOCUMENT IS THE PROPERTY OF GARDNER DENVER, INC. IT IS NOT FOR PUBLIC DISCLOSURE. POSSESSION OF THE INFORMATION DOES NOT CONFER ANY RIGHT TO COPY, REPRODUCE OR DISCLOSE THE INFORMATION. UNAUTHORIZED REPRODUCTION OR USE OF THE INFORMATION IS PROHIBITED. THIS DOCUMENT IS TO BE RETURNED TO GARDNER DENVER, INC. UPON THE COMPLETION OF THE PURPOSE FOR WHICH IT IS LOANED OR UPON REQUEST.

Gardner Denver Inc.
Quincy, IL

HEAT TREATMENT
ENG. REF:

TITLE: OUTLINE-BARE UNIT
4HVRQ LEGEND GRS-SPL

DWN BY: RSB 10/14/2009
CVD BY: RNS 10/14/2009

WSC
331GAC800

THIRD ANGLE PROJECTION

1 of 1