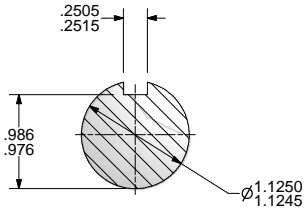
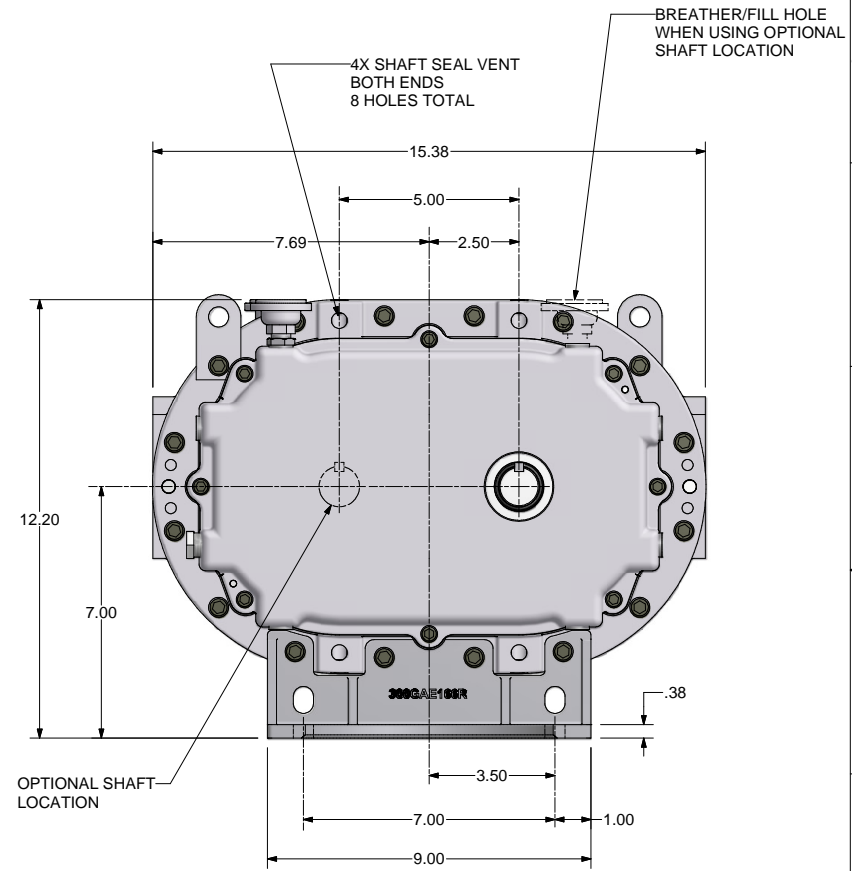
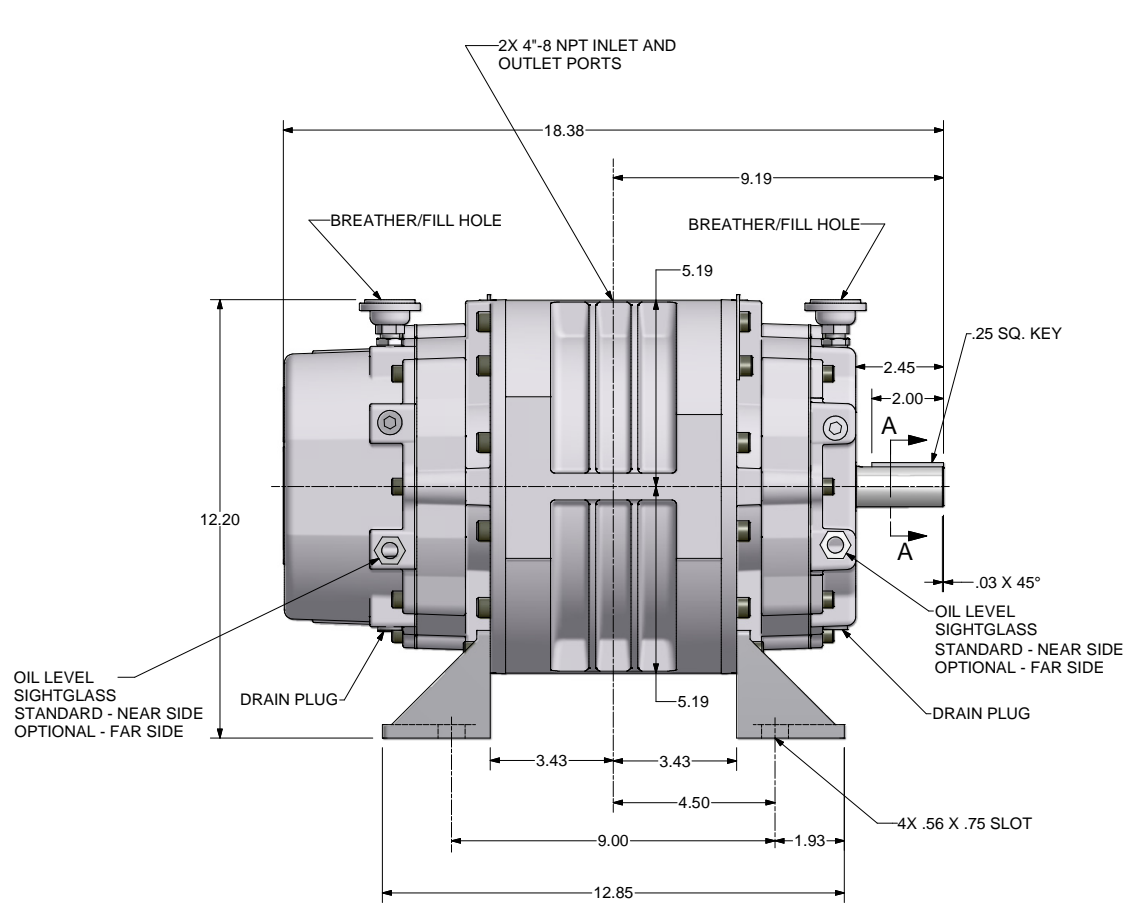


| REVISION HISTORY | | DATE | DWN | CHK |
|------------------|-----|--|----------|------------|
| ZONE | REV | DESCRIPTION | | |
| D6.D5 | B | RELEASED PER ECN 1040966 ADDED STANDARD AND OPTIONAL NOTE, ECN 1050721 | 03/04/10 | MWS GNN |



SECTION A-A
SCALE 2 : 1

ALL ROTATIONS AND PORT LOCATIONS WHEN FACING SHAFT END

| CONSTRUCTION | ROTATION | DISCHARGE PORT |
|------------------|------------------------|----------------|
| HORIZONTAL RIGHT | CLOCK WISE (CW) | BOTTOM SIDE |
| | COUNTERCLOCKWISE (CCW) | TOP SIDE |
| HORIZONTAL LEFT | CLOCKWISE (CW) | TOP SIDE |
| | COUNTERCLOCKWISE (CCW) | BOTTOM SIDE |

FINISH OF CHAMFERS AND FILLETS TO CONFORM TO DIMENSIONS SPECIFIED UNLESS OTHERWISE SPECIFIED DIMENSIONS ARE IN INCHES
TOL. ON DECIMALS: X = ± .05
TOL. ON DECIMALS: XX = ± .02
TOL. ON DECIMALS: XXX = ± .01 AS SPECIFIED
TOL. ON ANGLES: ± 0°-30'

CONFIDENTIAL - THE INFORMATION CONTAINED IN THIS DOCUMENT IS THE PROPERTY OF GARDNER DENVER, INC. IT IS NOT FOR PUBLIC DISCLOSURE. POSSESSION OF THE INFORMATION DOES NOT CONVEY ANY RIGHT TO CLAIM, SELL, OR DISCLOSE THE INFORMATION. UNAUTHORIZED REPRODUCTION OR USE OF THE INFORMATION IS PROHIBITED. THIS DOCUMENT IS TO BE RETURNED TO GARDNER DENVER, INC. UPON THE COMPLETION OF THE PURPOSE FOR WHICH IT IS LOANED OR UPON REQUEST.

THIRD ANGLE PROJECTION

Gardner Denver Inc.
Quincy, IL

DWN BY: RRB 5/15/2008
C/D BY: RNS 5/15/2008

HEAT TREATMENT
SMF LEGEND DSL

313GAE800