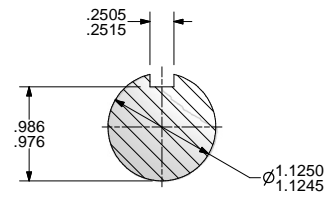
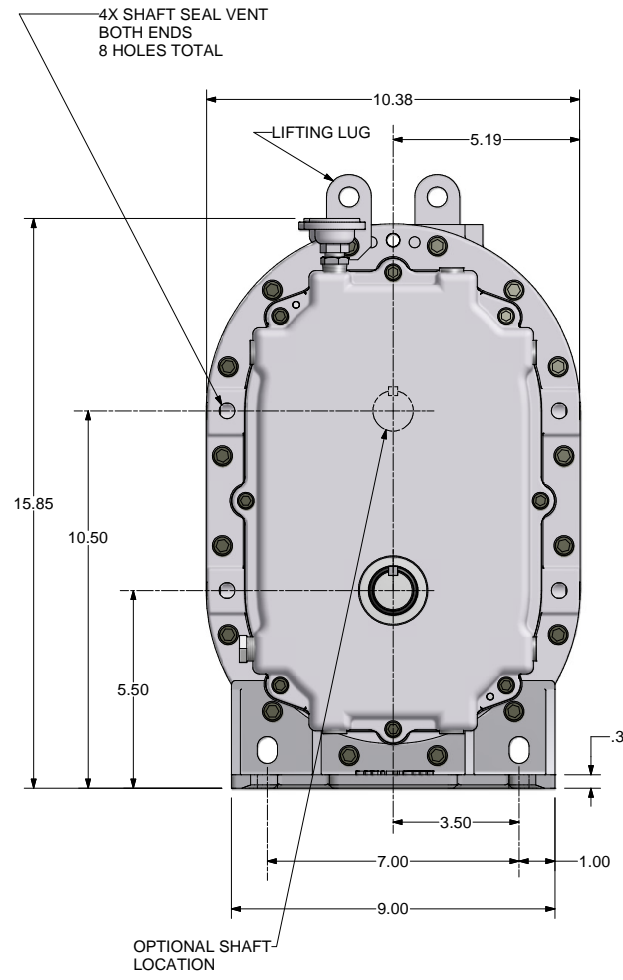
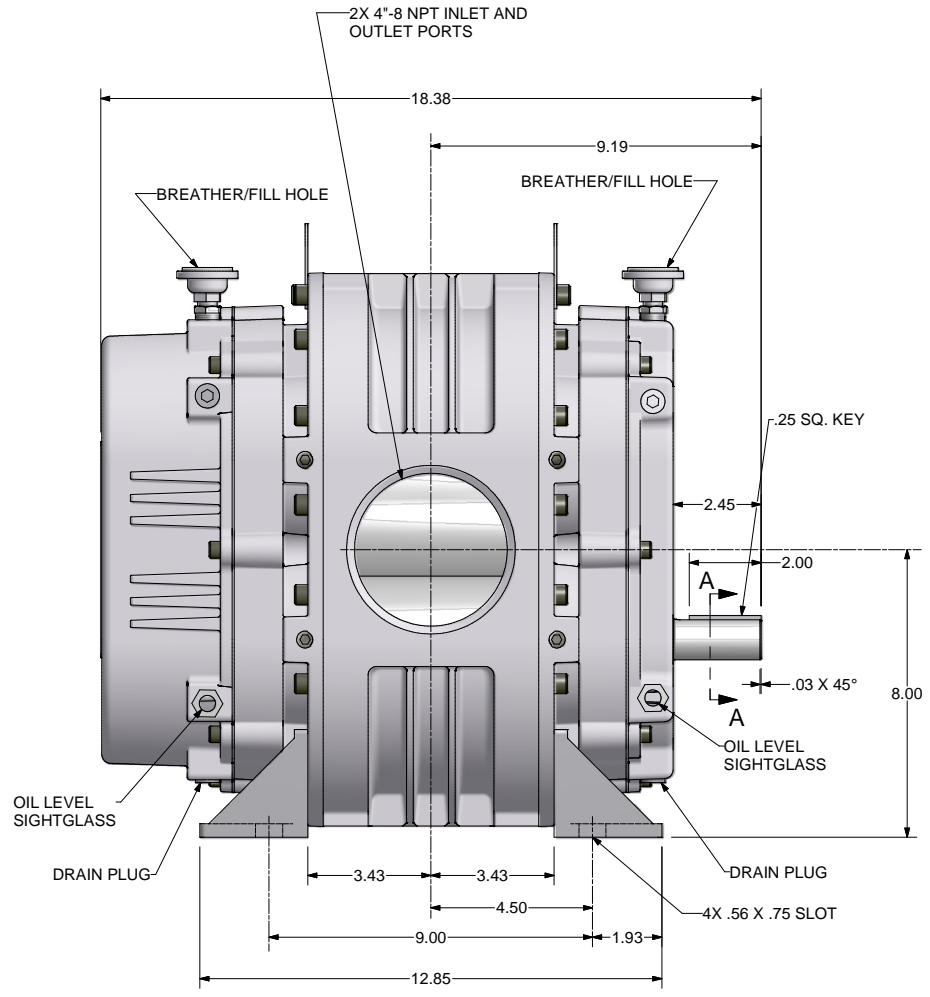


ZONE		REV	DESCRIPTION	DATE	DWN	CHK
		A	RELEASED PER ECN 1040966			



SECTION A-A
SCALE 2 : 1

ALL ROTATIONS AND PORT LOCATIONS WHEN FACING SHAFT END

CONSTRUCTION	ROTATION	DISCHARGE PORT
VERTICAL BOTTOM	CLOCK WISE (CW) COUNTERCLOCKWISE (CCW)	LEFT SIDE RIGHT SIDE
VERTICAL TOP	CLOCKWISE (CW) COUNTERCLOCKWISE (CCW)	RIGHT SIDE LEFT SIDE

FINISH OF CHAMFERS AND FILLETS TO CONFORM TO DIMENSIONS ARE IN INCHES UNLESS OTHERWISE SPECIFIED
TOL. ON DECIMALS: X = ± .05
TOL. ON DECIMALS: XX = ± .02
TOL. ON DECIMALS: XXX = ± .01 AS SPECIFIED
TOL. ON ANGLES: ± 0° 30'

CONFIDENTIAL - THE INFORMATION CONTAINED IN THIS DOCUMENT IS THE PROPERTY OF GARDNER DENVER, INC. IT IS NOT FOR PUBLIC DISCLOSURE. POSSESSION OF THE INFORMATION DOES NOT CONVEY ANY RIGHT TO CLAIM, SELL, OR DISCLOSE THE INFORMATION. UNAUTHORIZED REPRODUCTION OR USE OF THE INFORMATION IS PROHIBITED. THIS DOCUMENT IS TO BE RETURNED TO GARDNER DENVER, INC. UPON THE COMPLETION OF THE PURPOSE FOR WHICH IT IS LOANED OR UPON REQUEST.

THIRD ANGLE PROJECTION

Gardner Denver Inc.
Quincy, IL

DATE: 5/15/2008
DWN BY: RRB
CVD BY: RNS

HEAT TREATMENT: SMVR LEGEND DSL
TITLE: OUTLINE-BARE UNIT
WCS: 312GAE800
3/4