

Dust Collectors and Fume Exhausters



SAI GLOBAL
ISO 9001
Quality

Model DC DUST COLLECTOR

The Model DC is a low cost packaged dust collector, designed to effectively remove dust, grit and other airborne contaminants at their source.

Only clean air is recirculated within the area. Easy to install... just remove it from the carton, set it on a standard 55-gallon drum and plug it in.

MODEL DC PAYS FOR ITSELF WITH THESE ADVANTAGES:

- A cleaner work area
- Safer working conditions
- Plant maintenance savings
- Recirculates air in the building - No heat or A/C loss

Completely fabricated of heavy gauge steel with non-sparking aluminum housing and powerful radial wheel

Permanently lubricated, ball bearing, continuous duty motors are standard

All units fit standard open end steel drums

Safe, no exposed moving parts - Completely self contained

Low cost, economical to operate



Typical Applications

Model	Grinding	Woodworking	Buffing & Polishing
DC-8	light laboratory type	1- 6" saw, 1- small sander	light laboratory type
DC-9	2- 6" wheels or 1- 8" or 10" wheel	1- 8" saw, 1- 4" jointer, 1- small sander	2- 6" wheels or 1- 8" or 10" wheel
DC-10	1-10" wheel or 2- 8" wheels	1- 10" saw, 1- 6" to 8" jointer, 1- planer	2- 8" wheels
DC-11	2-10" wheels or 1-12" wheel	1-12" or 14" saw, 1-16" planer, 2- small sanders	1-12" wheel or 2-10" wheels
DC-12	3 -10" wheels or 2 -12" to 14" wheels	1-14" to 18" saw, 1-16" planer, 1- large sander	1-16" wheel or 2-12" wheels
DC-13	for higher pressure applications		

Optional Accessories

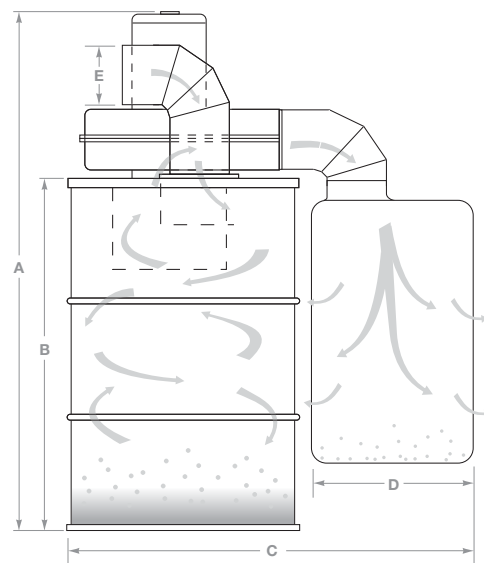
- Complete line of nozzles and fittings, etc
- 4-wheel dolly for portability
- Motor starters
- Cut-off dampers
- Metal suction hose
- Special voltages

Dimensions

Model	A	B	C	D	E
DC-8	52 ¹ / ₃₂	35 ³ / ₄	42	11 ¹ / ₂	4
DC-9	52 ¹ / ₃₂	35 ³ / ₄	42	11 ¹ / ₂	4
DC-10	52 ¹⁵ / ₁₆	35 ³ / ₄	42	11 ¹ / ₂	5
DC-11	54 ¹ / ₂	35 ³ / ₄	42	11 ¹ / ₂	6
DC-12	54 ¹ / ₂	35 ³ / ₄	42	11 ¹ / ₂	6

Specifications

Model	HP	RPM	CFM	Velocity (FPM)	Hose (in)	Ship Wt. (Lb)
DC-8	1/3	3450	350	4000	4 x 60	45
DC-9	1/2	3450	450	5100	4 x 60	50
DC-10	1	3450	700	5000	5 x 60	74
DC-11	1 1/2	3450	875	4500	6 x 60	84
DC-12	2	3450	1000	5000	6 x 60	96
DC-13	3	3450	1200	6000	6 x 60	105



Model CC Cyclone DUST COLLECTOR

The Model CC Cyclone separator, dust collector blows the dust laden air into the long tapered cyclone by means of a powerful radial blade blower. The high velocity cyclone action separates the dust particles into a dust storage cabinet or a 55- gallon drum. Dust free air is then returned to the work place. For very fine dust an after filter bag is available.

APPLICATIONS:

- Surface & cutting grinders
- Buffing & polishing machines
- All types of wood working machines
- Tire retreading equipment
- Pharmaceutical powders
- Dust (food products, chemicals & precious metals)
- Lint, textiles, plastics, grain & many other applications

- Highly efficient cast aluminum and steel plate blowers
- 14-gauge steel cyclone
- Large 12-gauge steel storage box and supports
- Compact - self contained
- No exposed moving parts
- Inexpensive
- Easy installation
- Recirculating type - no heat loss



Specifications

Model No.	HP	RPM	CFF at 2" SP	Inlet O.D. (in)	Height less Filter Bag (in)	Floor Space (in)	Dust Storage Capacity (cubic ft)			Ship Wt. (Lb)
							*1	*2	*3	
CC-8-E	1/3	3450	275	4	49 1/2	18 x 30	3.75	2.00	7.5	169
CC-9-F	1/2	3450	400	5	49 1/2	18 x 30	3.75	2.00	7.5	175
CC-9-G	3/4	3450	485	5	49 1/2	18 x 30	3.75	2.00	7.5	177
CC-10-H	1	3450	730	6	57 1/2	20 x 36	5.00	3.00	7.5	220
CC-10-I	1 1/2	3450	755	6	57 1/2	20 x 36	5.00	3.00	7.5	229
CC-12-I	1 1/2	3450	855	7	57 1/2	20 x 36	5.00	3.00	7.5	269
CC-12-J	2	3450	1130	7	57 1/2	20 x 36	5.00	3.00	7.5	275
CC-12-K	3	3450	1400	7	57 1/2	20 x 36	5.00	3.00	7.5	284
CC-14-L	5	3450	2000	8	90	35 x 54	13.00	8.50	7.5	550

*1 Standard cabinet without drawer

*2 Standard cabinet with drawer

*3 D-1 construction for one 55-gallon drum, D-2 construction is for two drums no cabinet – angle iron framing with cyclone and blower mounted on top
Legs predrilled for assembly in the field

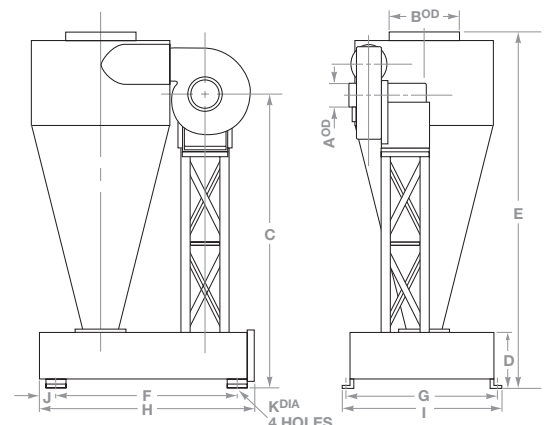
Above units can be modified with various wheels to meet more exacting requirements.

Optional Accessories

- Steel wheels for cast aluminum blowers
- Motor starters
- Rain cap for outside use (canopy)
- Explosion proof motors
- Dust bags
- Dust drawer

Dimensions

Model	A	B	C	D	E	F	G	H	I	J	K
CC-8	4	8	40 5/16	14	49 1/2	22	18 3/4	30	19 3/4	4	5/8
CC-9	5	8	39 1/4	14	49 1/2	22	18 3/4	30	19 3/4	4	5/8
CC-10	6	10	46	14	57 1/2	28	20 3/4	36	21 3/4	4	5/8
CC-12	7	10	44 9/16	14	57 1/2	28	20 3/4	36	21 3/4	4	5/8
CC-14	8	17 1/2	75 9/16	14	90 3/4	46	36 3/4	54	38 3/4	4	5/8



Fume-Chex FUME EXHAUSTER

This low-cost fume exhauster is not only ideally suited for collecting smoke and fumes from all welding, brazing and soldering operations; it is necessary for the good health of your employees. Industry has come to recognize the importance of good ventilation of fumes from the above operations. The fumes emitted from welding certain raw metals and coated metals such as galvanized, are not only a nuisance but a hazard to the health of the welders.

The Model FC draws these fumes away at their source and exhausts them to the outside. This assures both the comfort and the health of the welder and cuts down on fatigue.

This unit, because it traps the fumes at their source, eliminates the need for additional high-volume ventilation units which increase heating expenses in the winter months.

- Highly efficient cast aluminum and steel plate blowers
- 10 feet of flex hose
- Fume hood
- Adjustable discharge elbow
- Rubber vibration mount
- Non-sparking aluminum construction

OTHER USES:

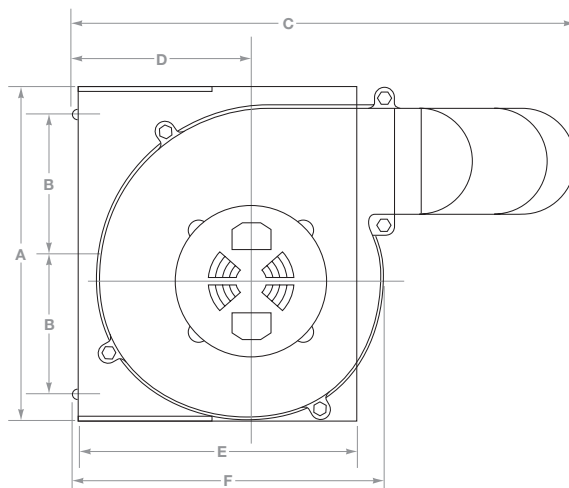
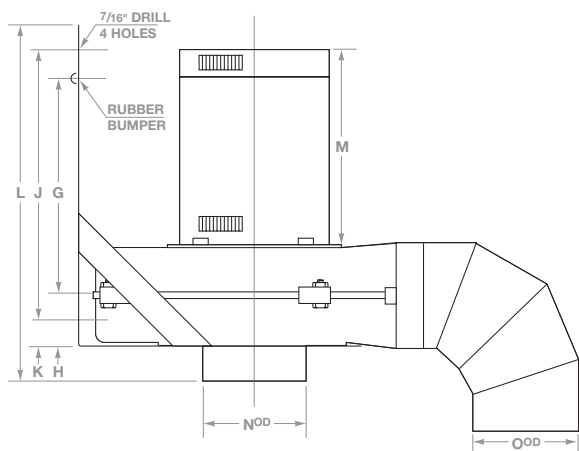
- Tank & sewer ventilation
- Auto exhaust removal systems
- All types of cooling applications
- By attaching the hose to the discharge, the Fume-Chex is converted into a powerful blower

Optional Accessories

- Explosion proof motors
- Special voltages
- Hood magnets

Specifications

Model	HP	RPM	CFM	Hose Size	Hood Size (in)	Ship Wt. (Lb)
FC-8	1/3	3450	375	4" x 10 ft.	3 x 7 x 4 O.D.	55
FC-9	1/2	3450	550	5" x 10 ft.	4 x 8 x 5 O.D.	65
FC-10	1	3450	800	6" x 10 ft.	5 x 10 x 6 O.D.	80
FC-11	1 1/2	3450	1200	6" x 10 ft.	5 x 10 x 6 O.D.	92
FC-12	2	3450	1400	6" x 10 ft.	5 x 10 x 6 O.D.	100



Dimensions

Model	A	B	C	D	E	F	G	H	J	K	L	M	N	O
FC-8	12 1/2	5 1/4	19 5/16	17	10 1/2	11 15/16	8	2	10	1	12 7/8	7	4	4
FC-9	15	6 1/2	21 3/4	8 9/16	14	14 9/16	9	2 1/2	11	1 1/2	14 7/8	7 3/4	5	4
FC-10	19 3/4	8 1/2	28 9/16	13 1/4	16 3/4	19 15/16	11	2 1/2	13	1 1/2	16 7/8	8 3/16	6	5
FC-11	19 3/4	8 1/2	28 3/8	10 1/2	16 3/4	18 1/4	11	2 1/2	13	1 1/2	17 7/8	10 5/8	6	6
FC-12	19 3/4	8 1/2	28 3/8	10 1/2	16 3/4	18 1/4	11	2 1/2	13	1 1/2	17 7/8	11 1/8	6	6

Accessories

Suction Hoses

STANDARD

Part #	Size
22201	3"
22203	4"
22205	5"
22207	6"



HEAVY DUTY

Part #	Size
22240	3"
22242	4"
22244	5"
22246	6"



METAL FLEX

Part #	Size
22253	3"
22254	4"
22255	5"
22256	6"



"Y" Branches

Part #	Size	Part #	Size
22216	7" x 5" x 5"	22250	6" x 3" x 3"
22215	6" x 5" x 5"	22214	5" x 4" x 4"
22249	6" x 4" x 4"	22251	5" x 3" x 3"



Suction Nozzles

Part #	Size
22217	3" x 7" to 4" dia.
22218	4" x 8" to 5" dia.
22219	5" x 10" to 6" dia.



Cut-Offs

FULL

Part #	Size	Part #	Size
21952	3"	21956	7"
21953	4"	21957	8"
21954	5"	21958	10"
21955	6"	21992	12"



HALF

Part #	Size	Part #	Size
21951	3"	21942	7"
21931	4"	21943	8"
21940	5"	21945	10"
21941	6"	21944	12"



Hose Clamps

Part #	Size
22210	3" dia.
22211	4" dia.
22212	5" dia.
22213	6" dia.
22237	8" dia.



Hose Connectors

Part #	Size
22257	3" dia.
22258	4" dia.
22259	5" dia.
22260	6" dia.
22261	8" dia.



Reducers

Part #	Size
22225	4" - 3"
22224	5" - 4"
22223	5" - 3"
22221	6" - 5"
22222	6" - 4"
22220	7" - 6"
22252	7" - 5"



Dust Bags

DC

Part #	Size
24656	DC-8 & 9
24604	DC-10, 11, 12 & 13

CC

Part #	Size
24601	CC-8 & 9
24602	CC-10 & 12
24603	CC-14

4-Wheel Steel Dolly

Part No.

24650
Fits 55-gallon drum (all DC Units)

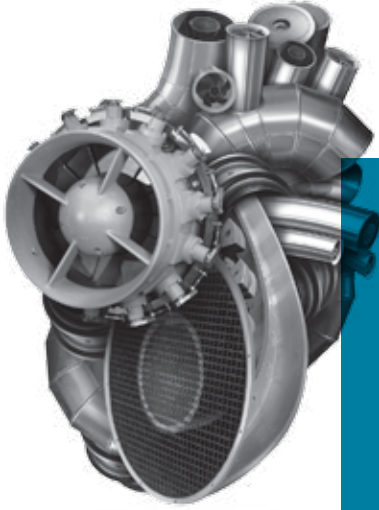


Hood Magnets

Part

22273
(to attach to suction nozzles)





At the heart of your operations

Howden people live to improve our products and services and for over 160 years our world has revolved around our customers. This dedication means our air and gas handling equipment adds maximum value to your operations. We have innovation in our hearts and every day we focus on providing you with the best solutions for your vital operations.



[Howden Industrial Fan Group](#)
[American Fan / Joy Fan / Garden City Fan](#)

Factory / Office
2933 Symmes Road
Fairfield, Ohio 45014-2099

Tel: 1-866-771-6266
Fax: 1-513-870-6249
Email: haf.sales@howden.com

Revolving Around You™

©Howden Group Limited.
All rights reserved. 2016.

Howden and the flying H logo are registered trademarks belonging to Howden Group Limited.